



# Oval flanged bearing supports

Serie **UCFL/CS**  
Serie **MUCFL/CS**



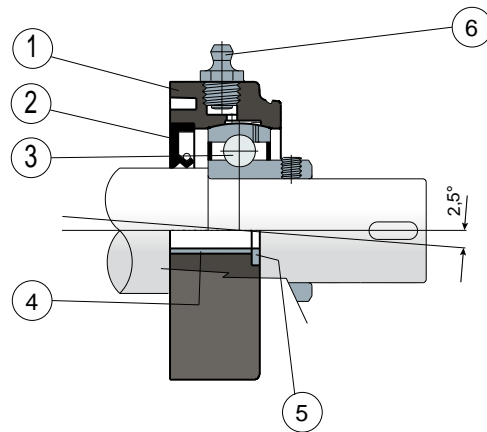
Self-aligning bearings with Solid body: completely closed surface to guarantee the max hygiene.



Long Life bearings: life long lubrication.



Back gasket for shouldered shaft



- 1) Housing made out of black, white or blue Ral 5005 colour polyamide reinforced with glass fibers.
- 2) Back gasket made out of NBR rubber for turning shaft seal.
- 3) Chrome steel or stainless steel bearing AISI 440.
- 4) Spacer for fixing reinforcement made out of stainless steel AISI 304.
- 5) UNI 6592 support washer made out of stainless steel AISI 304.
- 6) Greaser, straight type with 1/8 gas thread, made out of nickel-plated brass (absent in the versions with Long Life bearing).

N.B.: The protection cover can be ordered separately as an accessory; in the Long Life version, the greaser is absent and the lubrication channel is protected by a rubber cap.

Support dimensions respect ISO 3228 set of rules.

Maximum shaft alignment error 2,5°

For further information please contact our technical office or sales department.

**MATERIALS:** Housing is made out of PA + glass fiber in black, white or blue Ral 5005 colours; chrome steel or stainless steel bearing; greaser made out of nickel plated brass; reinforcement bushings and washers made out of stainless steel AISI 304; gaskets made out of NBR rubber; cover made out of polypropylene grey Ral 7042, blue Ral 5015, orange Ral 2004 or red Ral 3000 colour.

**FEATURES:** Back gasket for shouldered shafts; the protection cover can be ordered separately as an accessory. Use of shouldered shafts allows a higher capability of axial load. Maximum shaft alignment error 2.5°.

**BOX QUANTITY:** 8 pieces.

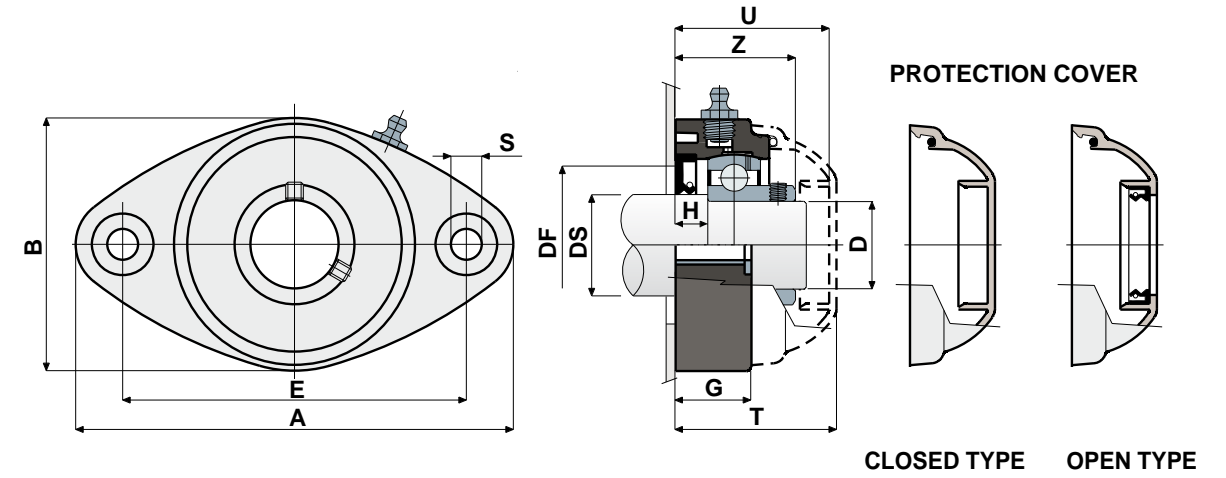
**ON REQUEST:** Versions with body in polypropylene + glass fiber and antibacterial additive; protection covers in different colours and with customized brand; box quantity according to your request; Viton gaskets.

# Oval flanged bearing supports

Technical data



Serie **UCFL/CS**  
Serie **MUCFL/CS**



DS	D	SERIE	CHROME STEEL BEARING														COVER CODES													
			Support CODES						DIMENSIONS (mm)								Bearing load (N)		Bearing support load		COVER CODES									
			Standard bearing			Long Life bearing			E	A	B	S	G	H	Z	U	T	DF	C	CO	(N)	Closed	Open	GREY RAL 7042	BLUE RAL 5015	ORANGE RAL 2004	RED RAL 3000			
25	20	UCFL 204 CS	80266	85264	89245	89947	89952	89958	90	118	64	10,5	19	8,5	33,8	44	46,5	45	40	12800	6600	8500	80254	80255	87259	83901	82305	82306	87540	87541
25	20	MUCFL 204 CS	87219	87220	89247	89948	89953	89959	76,5	100	70	10,5	11	8,5	33,8	44	46,5	45	40	12800	6600	8500	80254	80255	87259	83901	82305	82306	87540	87541
30	25	UCFL 205 CS	80184	85265	89249	86082	89954	89960	99	131	72	10,5	22	10	36,9	47	49,5	50	45	14000	7800	10000	80075	80076	85384	85385	82276	82277	87542	87543
35	30	UCFL 206 CS	80185	85266	89250	89949	89955	89961	117	149	86	10,5	26	11,5	41,7	52,5	55	60	50	19500	11300	13000	80011	80053	84100	80354	82278	82279	87531	87530
40	35	UCFL 207 CS	80186	85267	89251	89950	89956	89962	130	163	94	10,5	26	10,5	43,2	57	59	70	55	25500	15300	14000	80077	80078	80969	80275	82284	82285	87544	87545
45	40	UCFL 208 CS	85233	86004	89252	89951	89957	89963	144	172	100	10,5	27	8,5	44,8	65	68	78	65	32500	19800	15000	80256	80257	83088	86722	82280	82281	87528	82804

DS	D	SERIE	STAINLESS STEEL BEARING AISI 440														COVER CODES													
			Support CODES						DIMENSIONS (mm)								Bearing load (N)		Bearing support load		COVER CODES									
			Standard bearing			Long Life bearing			E	A	B	S	G	H	Z	U	T	DF	C	CO	(N)	Closed	Open	GREY RAL 7042	BLUE RAL 5015	ORANGE RAL 2004	RED RAL 3000			
25	20	UCFL 204 CS	84148	85268	89253	87599	89969	89975	90	118	64	10,5	19	8,5	33,8	44	46,5	45	40	8300	6600	8500	80254	80255	87259	83901	82305	82306	87540	87541
25	20	MUCFL 204 CS	87229	87230	89254	89964	89970	89976	76,5	100	70	10,5	11	8,5	33,8	44	46,5	45	40	8300	6600	8500	80254	80255	87259	83901	82305	82306	87540	87541
30	25	UCFL 205 CS	83907	85269	89255	89965	89971	89977	99	131	72	10,5	22	10	36,9	47	49,5	50	45	9150	7800	10000	80075	80076	85384	85385	82276	82277	87542	87543
35	30	UCFL 206 CS	80523	85270	89256	89966	89972	89978	117	149	86	10,5	26	11,5	41,7	52,5	55	60	50	12500	11200	13000	80011	80053	84100	80354	82278	82279	87531	87530
40	35	UCFL 207 CS	84150	85271	89257	89967	89973	89979	130	163	94	10,5	26	10,5	43,2	57	59	70	55	16600	15300	14000	80077	80078	80969	80275	82284	82285	87544	87545
45	40	UCFL 208 CS	85234	86005	89258	89968	89974	89980	144	172	100	10,5	27	8,5	44,8	65	68	78	65	20000	19000	15000	80256	80257	83088	86722	82280	82281	87528	82804