



Oval flanged bearing supports (Solid)

Serie **UCFL/CA**



On request covers in polypropylene blue Ral 5015 colour.

On request covers in polypropylene orange Ral 2004 colour.

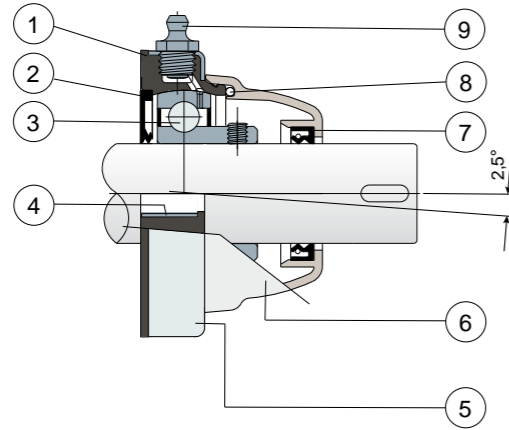
On request covers in polypropylene red Ral 3000 colour.

Self-aligning bearings with Solid body: completely closed surface to guarantee the max hygiene.

Long Life bearings: life long lubrication.

NEW

External cover made out of stainless steel AISI 304



- 1) Internal body of support made out of black colour polypropylene reinforced with glass fibers.
- 2) Back gasket made out of NBR rubber for turning shaft seal.
- 3) Chrome steel or stainless steel bearing AISI 440.
- 4) Spacer for fixing reinforcement made out of stainless steel AISI 304.
- 5) External cover of support made out of AISI 304 stainless steel.
- 6) Protection cover made out of polypropylene (grey colour Ral 7042).
- 7) Front gasket made out of NBR rubber for turning shaft seal.
- 8) OR gasket made out of NBR rubber.
- 9) Greaser, straight type with 1/8 gas thread, made out of nickel-plated brass (absent in the versions with Long Life bearing).

N.B.: In the Long Life version, the greaser is absent and the lubrication channel is protected by a rubber cap.

Maximum shaft alignment error 2,5°
For further information please contact our technical office or sales department.

MATERIALS: Support made out of black colour PP + glass fiber; external cover of support made out of stainless steel AISI 304; chrome steel or stainless steel bearing; greaser made out of nickel plated brass; reinforcement bushings made out of stainless steel AISI 304; gaskets made out of NBR rubber; protection cover made out of grey RAL 7042 colour polypropylene.

FEATURES: Full protection of bearing against external agents. Housing in polypropylene covered with a layer of AISI 304 stainless steel, to obtain the maximum chemical resistance to antibacterial detergents used in the food processing sector. More over this part is moulded without internal cavities in order to obtain the best sanitification. Assembly with not shouldered shaft. Maximum shaft alignment error 2.5°.

BOX QUANTITY: 8 pieces.

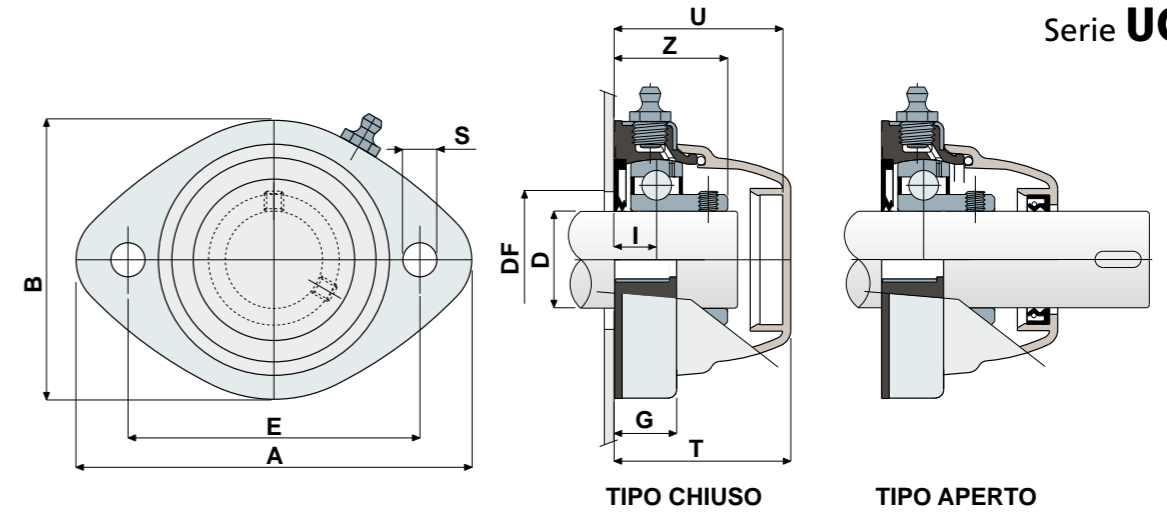
ON REQUEST: Protection covers in different colours and with customized brand; supports with eccentric collar shaft locking with chrome steel bearing; internal body in reinforced polypropylene white or blue Ral 5005 colour; box quantity according to your request; Viton gaskets.

Oval flanged bearing supports (Solid)

Technical data



Serie **UCFL/CA**



| D | SERIE | CODES | | | | DIMENSIONS (mm) | | | | | | | | | | | Bearing load (N) | | Bearing support load (N) |
|----|-------------|------------------|-------|-------------------|-------|-----------------|-----|-----|----|----|----|------|----|----|-----|-----|------------------|-------|--------------------------|
| | | Standard bearing | | Long Life bearing | | E | A | B | S | G | I | Z | U | T | DF | | C | CO | |
| | | Closed | Open | Closed | Open | | | | | | | | | | Max | Min | | | |
| 30 | UCFL 206 CA | 84021 | 83999 | 87235 | 87237 | 117 | 147 | 112 | 11 | 27 | 21 | 42 | 65 | 68 | 60 | 50 | 19500 | 11300 | 13000 |
| 35 | UCFL 207 CA | 84022 | 84000 | 88818 | 88817 | 117 | 147 | 112 | 11 | 27 | 20 | 43,2 | 65 | 68 | 70 | 55 | 25500 | 15300 | 14000 |
| 40 | UCFL 208 CA | 84023 | 84001 | 89981 | 89982 | 117 | 147 | 112 | 11 | 27 | 20 | 44,8 | 65 | 68 | 78 | 65 | 32500 | 19800 | 15000 |

| D | SERIE | CODES | | | | DIMENSIONS (mm) | | | | | | | | | | | Bearing load (N) | | Bearing support load (N) |
|----|-------------|------------------|-------|-------------------|-------|-----------------|-----|-----|----|----|----|------|----|----|-----|-----|------------------|-------|--------------------------|
| | | Standard bearing | | Long Life bearing | | E | A | B | S | G | I | Z | U | T | DF | | C | CO | |
| | | Closed | Open | Closed | Open | | | | | | | | | | Max | Min | | | |
| 30 | UCFL 206 CA | 84024 | 84002 | 84990 | 84989 | 117 | 147 | 112 | 11 | 27 | 21 | 42 | 65 | 68 | 60 | 50 | 12500 | 11200 | 13000 |
| 35 | UCFL 207 CA | 84006 | 84003 | 87363 | 87362 | 117 | 147 | 112 | 11 | 27 | 20 | 43,2 | 65 | 68 | 70 | 55 | 16600 | 15300 | 14000 |
| 40 | UCFL 208 CA | 84010 | 84005 | 89983 | 84993 | 117 | 147 | 112 | 11 | 27 | 20 | 44,8 | 65 | 68 | 78 | 65 | 20000 | 19000 | 15000 |

VERSIONS WITH MEASURES IN INCHES

| D | SERIE | CODES | | | | DIMENSIONS (mm) | | | | | | | | | | | Bearing load (N) | | Bearing support load (N) | |
|-------|-------|------------------|-------|-------------------|-------|-----------------|-----|-----|-----|----|----|----|----|----|--------|------|------------------|-------|--------------------------|-------|
| | | Standard bearing | | Long Life bearing | | E | A | B | S | G | I | Z | U | T | DF | | C | CO | | |
| | | (inches) | (mm) | Closed | Open | | | | | | | | | | Closed | Open | | | | Max |
| 1"1/4 | 31,75 | UCFL 206 CA | 84521 | 84541 | 89984 | 89985 | 117 | 147 | 112 | 11 | 27 | 21 | 42 | 65 | 68 | 60 | 50 | 19500 | 11300 | 13000 |

Inch dimensions conform to the British Imperial system