



Oval flanged bearing supports (Solid)

Serie UCFL/CXA



Self-aligning bearings with Solid body: completely closed surface to guarantee the max hygiene.

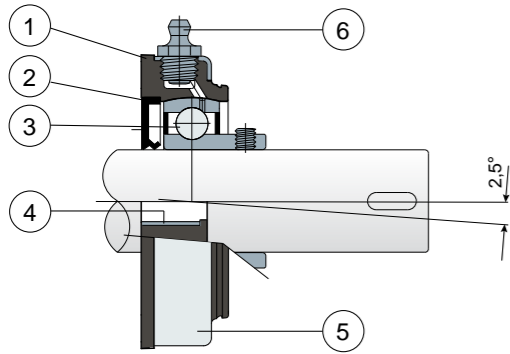


Long Life bearings: life long lubrication.



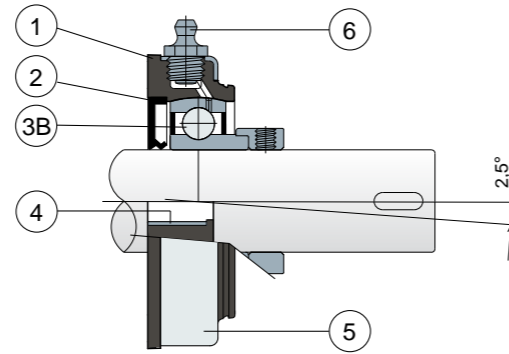
Grub screws shaft locking

External cover made out of stainless steel AISI 304; without protection cover



Eccentric collar shaft locking

External cover made out of stainless steel AISI 304; without protection cover



- 1) Internal body of support made out of black colour polypropylene reinforced with glass fibers.
- 2) Back gasket made out of NBR rubber for turning shaft seal.
- 3) Chrome steel or stainless steel bearing AISI 440.
- 3B) Chrome steel bearing.
- 4) Spacer for fixing reinforcement made out of stainless steel AISI 304.
- 5) External cover of support made out of AISI 304 stainless steel.
- 6) Greaser, straight type with 1/8 gas thread, made out of nickel-plated brass (absent in the versions with Long Life bearing).

NOTE: The protection cover can be ordered separately as an accessory; in the Long Life version, the greaser is absent and the lubrication channel is protected by a rubber cap.

Maximum shaft alignment error 2,5°

For further information please contact our technical office or sales department.

MATERIALS: Support made out of black colour PP + glass fiber; external cover of support made out of stainless steel AISI 304; bearing with grub screws shaft locking in chrome steel or stainless steel; bearing with eccentric collar shaft locking in chrome steel; greaser made out of nickel plated brass; reinforcement bushings made out of stainless steel AISI 304; gaskets made out of NBR rubber; protection cover made out of polypropylene grey Ral 7042, blue Ral 5015, orange Ral 2004 or red Ral 3000 colour.

FEATURES: The protection cover can be ordered separately as an accessory. Housing in polypropylene covered with a layer of AISI 304 stainless steel, to obtain the maximum chemical resistance to antibacterial detergents used in the food processing sector. More over this part is moulded without internal cavities in order to obtain the best sanification. Assembly with not shouldered shaft. Maximum shaft alignment error 2.5°.

BOX QUANTITY: 8 pieces.

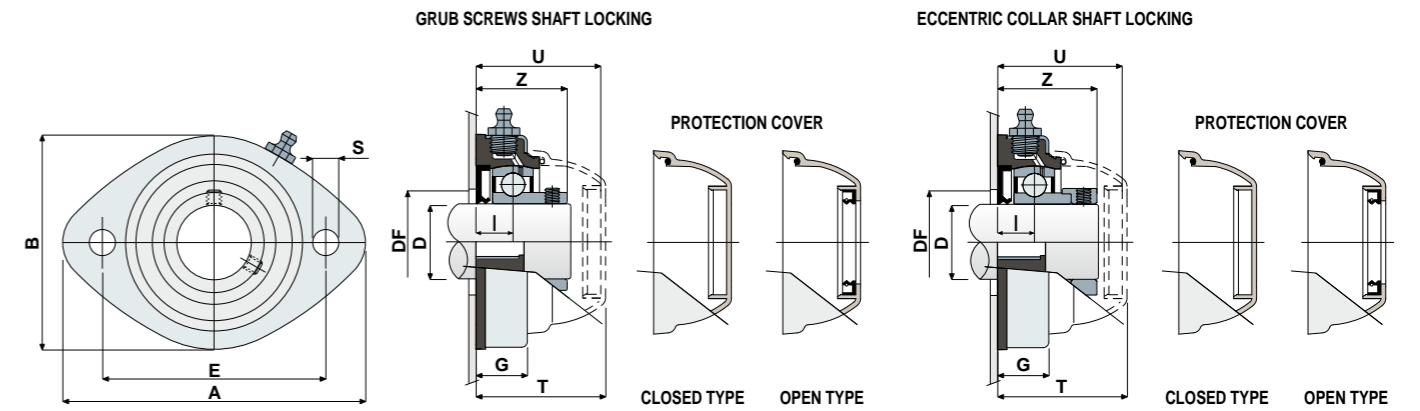
ON REQUEST: Protection covers in different colours and with customized brand; internal body in reinforced polypropylene white or blue Ral 5005 colour; box quantity according to your request; Viton gaskets.

Oval flanged bearing supports (Solid)

Technical data



Serie UCFL/CXA



GRUB SCREWS SHAFT LOCKING

D	SERIE	Support CODES		CHROME STEEL BEARING											COVER CODES													
		Standard bearing	Long Life bearing	DIMENSIONS (mm)											Bearing load (N)			Bearing support load			GREY RAL 7042		BLUE RAL 5015		ORANGE RAL 2004		RED RAL 3000	
				E	A	B	S	G	I	Z	U	T	DF	Max	Min	C	CO	(N)	Closed	Open	Closed	Open	Closed	Open	Closed	Open		
30	UCFL 206 CXA	84007	89099	117	147	112	11	27	21	42	65	68	60	50	19500	11300	13000	Closed	Open	Closed	Open	Closed	Open	Closed	Open			
35	UCFL 207 CXA	84008	89986	117	147	112	11	27	20	43,2	65	68	70	55	25500	15300	14000	80256	80495	83088	87277	82280	87557	87528	87529			
40	UCFL 208 CXA	84009	89987	117	147	112	11	27	19,5	44,8	65	68	78	65	32500	19800	15000	80257	80257	86722	86722	82281	82281	82804	82804			

ECCENTRIC COLLAR SHAFT LOCKING

D	SERIE	Support CODES		CHROME STEEL BEARING											COVER CODES					
		Standard bearing	Long Life bearing	DIMENSIONS (mm)											Bearing load (N)			Bearing support load	GREY RAL 7042	
				E	A	B	S	G	I	Z	U	T	DF	Max	Min	C	CO	(N)	Closed	Open
30	UCFL 206 CXA	88552	89988	117	147	112	11	27	21	47,7	65	68	60	50	19500	11300	13000	80256	80494	
35	UCFL 207 CXA	88553	89989	117	147	112	11	27	20	49,3	65	68	70	55	25500	15300	14000	80256	80495	
40	UCFL 208 CXA	88554	89990	117	147	112	11	27	19,5	52,2	65	68	78	65	32500	19800	15000	80257	80257	

GRUB SCREWS SHAFT LOCKING

D	SERIE	Support CODES		STAINLESS STEEL BEARING AISI 440											COVER CODES													
		Standard bearing	Long Life bearing	DIMENSIONS (mm)											Bearing load (N)			Bearing support load			GREY RAL 7042		BLUE RAL 5015		ORANGE RAL 2004		RED RAL 3000	
				E	A	B	S	G	I	Z	U	T	DF	Max	Min	C	CO	(N)	Closed	Open	Closed	Open	Closed	Open	Closed	Open		
30	UCFL 206 CXA	84011	87257	117	147	112	11	27	21	42	65	68	60	50	12500	11200	13000	80256	80494	83088	87277	82280	87557	87528	87529			
35	UCFL 207 CXA	84012	85313	117	147	112	11	27	20	43,2	65	68	70	55	16600	15300	14000	80256	80495	83088	87277	82280	87557	87528	87529			
40	UCFL 208 CXA	84013	87258	117	147	112	11	27	19,5	44,8	65	68	78	65	20000	19000	15000	80257	80257	86722	86722	82281	82281	82804	82804			

GRUB SCREWS SHAFT LOCKING - VERSIONS WITH MEASURES IN INCHES

D	SERIE	Support CODES		CHROME STEEL BEARING											COVER CODES													
		Standard bearing	Long Life bearing	DIMENSIONS (mm)											Bearing load (N)			Bearing support load			GREY RAL 7042		BLUE RAL 5015		ORANGE RAL 2004		RED RAL 3000	
				E	A	B	S	G	I	Z	U	T	DF	Max	Min	C	CO	(N)	Closed	Open	Closed	Open	Closed	Open	Closed	Open		
1"1/4	31,75	UCFL 206 CXA	84522	89991	117	147	112	11	27	21	42	65	68	60	50	19500	11300	13000	80256	85204	83088	87275	82280	87662	87528	87665		

Inch dimensions conform to the British Imperial system