



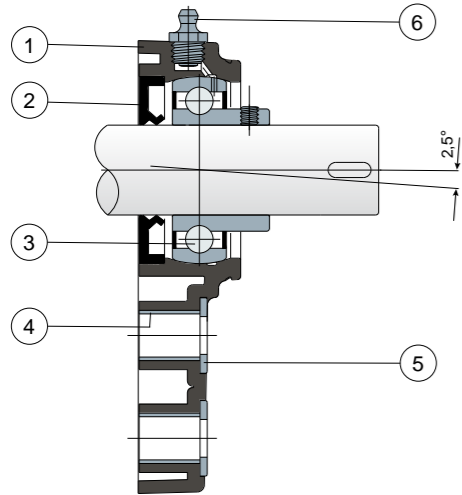
# Side flanged bearing supports

Serie **UCFB/CX**

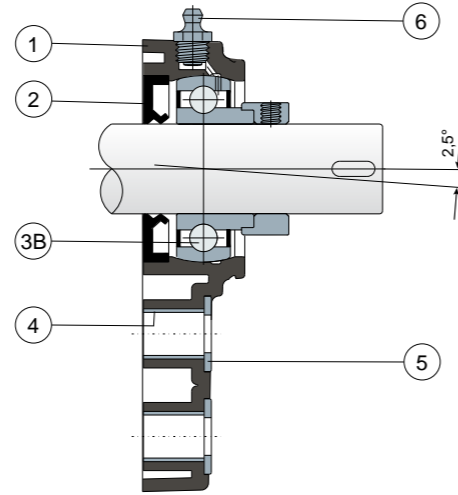


**L** Long Life bearings: life long lubrication. **NEW**

Grub screws shaft locking - Without protection cover



Eccentric collar shaft locking - Without protection cover



- 1) Housing made out of black or white colour polyamide reinforced with glass fibers.
- 2) Back gasket made out of NBR rubber for turning shaft seal.
- 3) Chrome steel or stainless steel bearing AISI 440.
- 3B) Chrome steel bearing.
- 4) Spacer for fixing reinforcement made out of stainless steel AISI 304.
- 5) UNI 6592 support washer made out of stainless steel AISI 304.
- 6) Greaser, straight type with 1/8 gas thread, made out of nickel-plated brass (absent in the versions with Long Life bearing).

NOTE: The protection cover can be ordered separately as an accessory; in the Long Life version, the greaser is absent and the lubrication channel is protected by a rubber cap.

Maximum shaft alignment error 2,5°

For further information please contact our technical office or sales department.

**MATERIALS:** Housing is made out of PA + glass fiber in black or white colours; bearing with grub screws shaft locking in chrome steel or stainless steel; bearing with eccentric collar shaft locking in chrome steel; greaser made out of nickel plated brass; reinforcement bushings and washers made out of stainless steel AISI 304; gaskets made out of NBR rubber; cover made out of polypropylene grey Ral 7042, blue Ral 5015, orange Ral 2004 or red Ral 3000 colour.  
**FEATURES:** The protection cover can be ordered separately as an accessory. Assembly with not shouldered shafts. Maximum shaft alignment error 2.5°.  
**BOX QUANTITY:** 8 pieces.

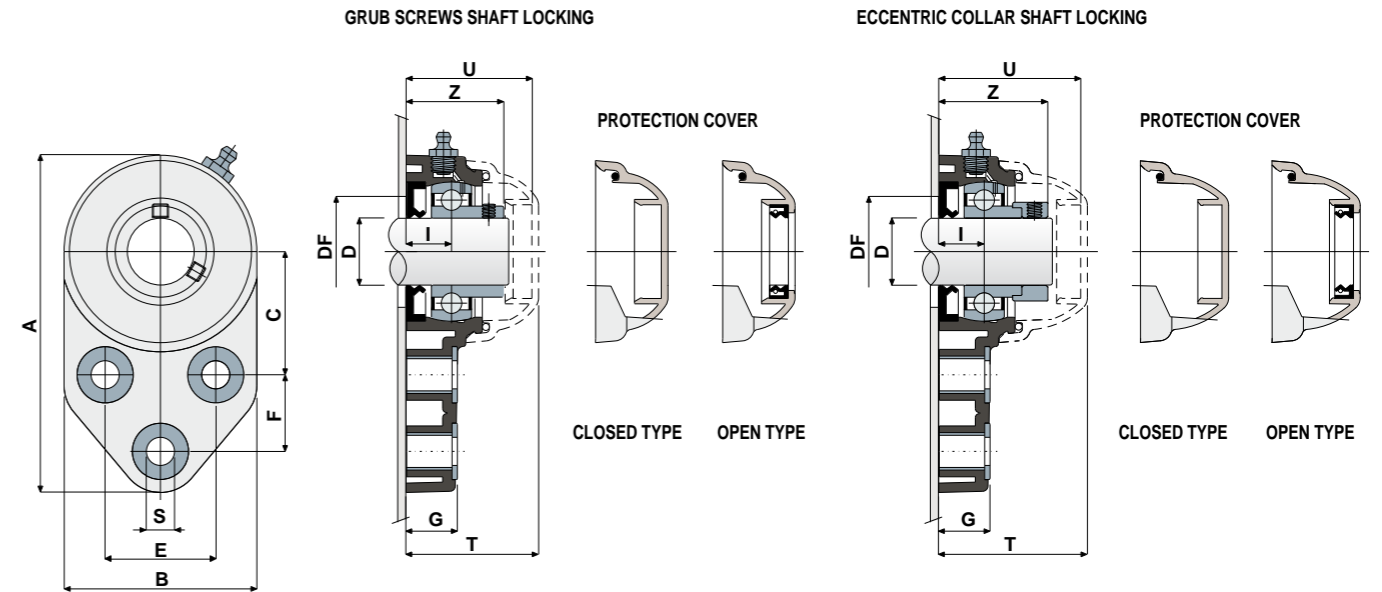
**ON REQUEST:** Versions with body in polypropylene + glass fiber and antibacterial additive; protection covers in different colours and with customized brand; box quantity according to your request; Viton gaskets.

# Side flanged bearing supports

Technical data



Serie **UCFB/CX**



GRUB SCREWS SHAFT LOCKING

D	SERIE	CHROME STEEL BEARING														COVER CODES													
		Support CODES				DIMENSIONS (mm)										Bearing load (N)		Bearing support load		GREY RAL 7042		BLUE RAL 5015		ORANGE RAL 2004		RED RAL 3000			
		Standard bearing	Black	White	Long Life bearing	E	A	B	C	F	S	G	I	Z	U	T	DF	C	CO	(N)	Closed	Open	Closed	Open	Closed	Open	Closed	Open	
20	UCFB 204 CX	83023	84738	84145	85332	41,3	126	72	46	28,6	10,5	19	18	36,3	47	49,5	45	40	12800	6600	8500	80254	80255	87259	83901	82305	82306	87540	87541
25	UCFB 205 CX	82772	84739	83899	90023	41,3	126	72	46	28,6	10,5	19	17	36,5	47	49,5	50	45	14000	7800	9000	80075	80076	85384	85385	82276	82277	87542	87543
30	UCFB 206 CX	84056	84740	87450	90024	47,6	142	85	52,4	32	10,5	26,3	20,7	41,7	53,2	55,7	60	50	19500	11300	11000	80011	80053	84100	80354	82278	82279	87531	87530
35	UCFB 207 CX	84057	84741	88348	90025	51	155	94	60,5	32	10,5	26,3	20	43,2	56,5	59	70	55	25500	15300	13000	80077	80078	80969	80275	82284	82285	87544	87545
40	UCFB 208 CX	82478	84742	82479	90026	50	165	100	60,5	41	10,5	26,3	19,5	44,8	65	68	78	65	32500	19800	18000	80256	80257	83088	86722	82280	82281	87528	82804

ECCENTRIC COLLAR SHAFT LOCKING

D	SERIE	CHROME STEEL BEARING														COVER CODES							
		Support CODES				DIMENSIONS (mm)										Bearing load (N)		GREY RAL 7042					
		Standard bearing	Black	White	Long Life bearing	E	A	B	C	F	S	G	I	Z	U	T	DF	C	CO	(N)	Closed	Open	
20	UCFB 204 CX	88555	88559	90027	90031	41,3	126	72	46	28,6	10,5	19	18	41,5	54	56,5	45	40	12800	6600	8500	88371	88372
25	UCFB 205 CX	88556	88560	90028	90032	41,3	126	72	46	28,6	10,5	19	17	40,5	52,9	55,4	50	45	14000	7800	9000	88373	88374
30	UCFB 206 CX	88557	88561	90029	90033	47,6	142	85	52,4	32	10,5	26,3	20,7	47,4	59,4	61,9	60	50	19500	11300	11000	88375	88376
35	UCFB 207 CX	88558	88562	90030	90034	51	155	94	60,5	32	10,5	26,3	20	49,3	61,3	63,8	70	55	25500	15300	13000	88377	88378
40	UCFB 208 CX	88332	88563	87596	90035	50	165	100	60,5	41	10,5	26,3	19,5	52,2	65	68	78	65	32500	19800	18000	80256	80257

GRUB SCREWS SHAFT LOCKING

D	SERIE	STAINLESS STEEL BEARING AISI 440														COVER CODES													
		Support CODES				DIMENSIONS (mm)										Bearing load (N)		Bearing support load		GREY RAL 7042		BLUE RAL 5015		ORANGE RAL 2004		RED RAL 3000			
		Standard bearing	Black	White	Long Life bearing	E	A	B	C	F	S	G	I	Z	U	T	DF	C	CO	(N)	Closed	Open	Closed	Open	Closed	Open	Closed	Open	
20	UCFB 204 CX	83039	84743	90036	85710	41,3	126	72	46	28,6	10,5	19	18	36,3	47	49,5	45	40	8300	6600	8500	80254	80255	87259	83901	82305	82306	87540	87541
25	UCFB 205 CX	82776	84744	90037	85386	41,3	126	72	46	28,6	10,5	19	17	36,5	47	49,5	50	45	9150	7800	9000	80075	80076	85384	85385	82276	82277	87542	87543
30	UCFB 206 CX	84058	84745	85835	85711	47,6	142	85	52,4	32	10,5	26,3	20,7	41,7	53,2	55,7	60	50	12500	11200	11000	80011	80053	84100	80354	82278	82279	87531	87530
35	UCFB 207 CX	84059	84746	87584	89141	51	155	94	60,5	32	10,5	26,3	20	43,2	56,5	59	70	55	16600	15300	13000	80077	80078	80969	80275	82284	82285	87544	87545
40	UCFB 208 CX	83041	84747	90038	90039	50	165	100	60,5	41	10,5	26,3	19,5	44,8	65	68	78	65	20000	19000	18000	80256	80257	83088	86722	82280	82281	87528	82804

GRUB SCREWS SHAFT LOCKING - VERSIONS WITH MEASURES IN INCHES

D	SERIE	CHROME STEEL BEARING														COVER CODES													
		Support CODES				DIMENSIONS (mm)										Bearing load (N)		Bearing support load		GREY RAL 7042		BLUE RAL 5015		ORANGE RAL 2004		RED RAL 3000			
		Standard bearing	Black	White	Long Life bearing	E	A	B	C	F	S	G	I	Z	U	T	DF	C	CO	(N)	Closed	Open	Closed	Open	Closed	Open	Closed	Open	
1"	UCFB 205 CX	84527	84915	90040	90042	41,3	126	72	46	28,6	10,5	19	17	36,5	47	49,5	50	45	14000	7800	9000	80075	85202	85384	87273	82276	87660	87542	87663
1 1/4"	UCFB 206 CX	84528	84916	90041	90043	47,6	142	85	52,4	32	10,5	26,3	20,7	41,7	53,2	55,7	60	50	19500	11300	11000	80011	85203	84100	87274	82278	87661	87531	87664

Inch dimensions conform to the British Imperial system