



Side flanged bearing supports (Solid)

Serie **UCFB/CX**

NEW

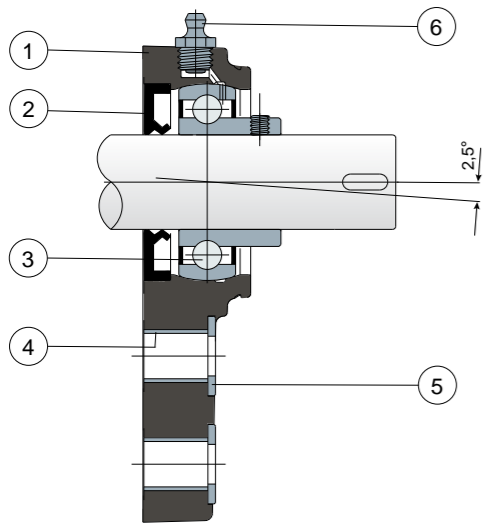


Self-aligning bearings with Solid body: completely closed surface to guarantee the max hygiene.

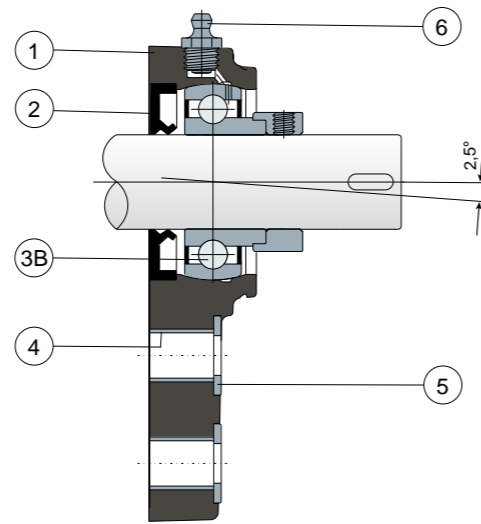


Long Life bearings: life long lubrication.

Grub screws shaft locking - Without protection cover



Eccentric collar shaft locking - Without protection cover



- 1) Housing made out of blue Ral 5005 colour polyamide reinforced with glass fibers.
- 2) Back gasket made out of NBR rubber for turning shaft seal.
- 3) Chrome steel or stainless steel bearing AISI 440.
- 3B) Chrome steel bearing.
- 4) Spacer for fixing reinforcement made out of stainless steel AISI 304.
- 5) UNI 6592 support washer made out of stainless steel AISI 304.
- 6) Greaser, straight type with 1/8 gas thread, made out of nickel-plated brass (absent in the versions with Long Life bearing).

NOTE: The protection cover can be ordered separately as an accessory; in the Long Life version, the greaser is absent and the lubrication channel is protected by a rubber cap.

Support dimensions respect ISO 3228 set of rules.
Maximum shaft alignment error 2,5°
For further information please contact our technical office or sales department.

MATERIALS: Housing is made out of PA + glass fiber in blue Ral 5005 colour; bearing with grub screws shaft locking in chrome steel or stainless steel; bearing with eccentric collar shaft locking in chrome steel; greaser made out of nickel plated brass; reinforcement bushings and washers made out of stainless steel AISI 304; gaskets made out of NBR rubber; cover made out of polypropylene grey Ral 7042, blue Ral 5015, orange Ral 2004 or red Ral 3000 colour.

FEATURES: The protection cover can be ordered separately as an accessory. This part is moulded without internal cavities in order to obtain the best sanitation. Assembly with not shouldered shafts. Maximum shaft alignment error 2.5°.

BOX QUANTITY: 8 pieces.

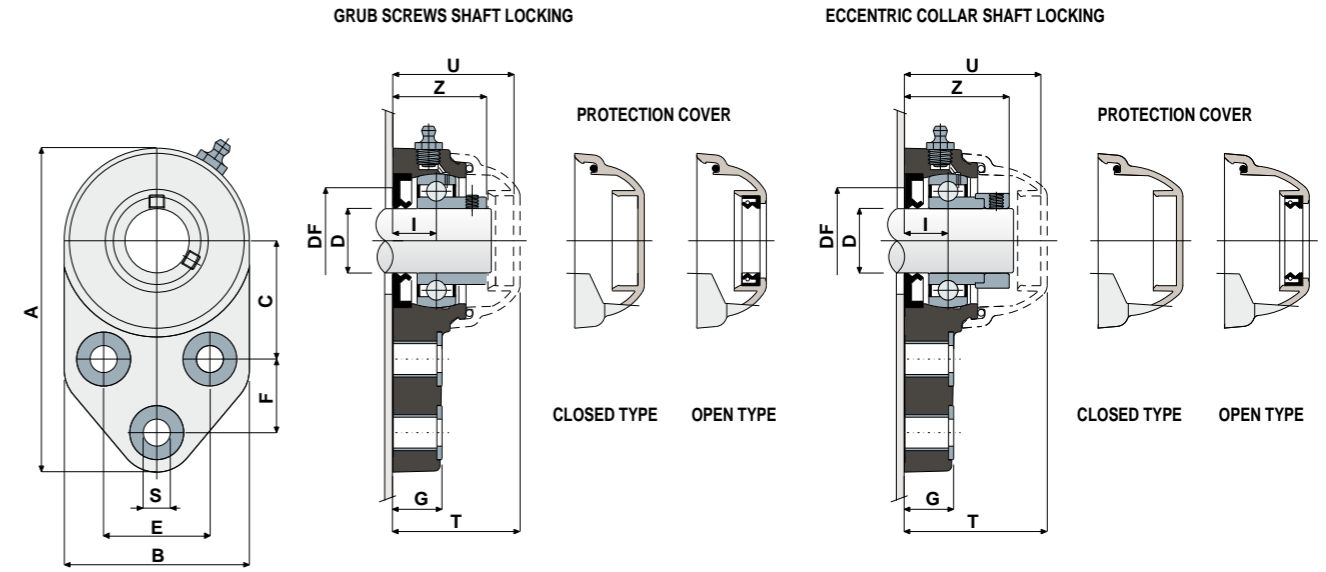
ON REQUEST: Versions with body in polypropylene + glass fiber and antibacterial additive; housing in black colour polyamide reinforced with glass fibers; protection covers in different colours and with customized brand; box quantity according to your request; Viton gaskets; available without NBR rubber back gasket for turning shaft seal.

Side flanged bearing supports (Solid)

Technical data



Serie **UCFB/CX**



GRUB SCREWS SHAFT LOCKING

D	SERIE	CHROME STEEL BEARING														COVER CODES																			
		Support CODES		DIMENSIONS (mm)												Bearing load (N)		Bearing support load		GREY RAL 7042				BLUE RAL 5015				ORANGE RAL 2004				RED RAL 3000			
		Standard bearing	Long Life bearing	E	A	B	C	F	S	G	I	Z	U	T	DF	C	CO	(N)	Closed	Open	Closed	Open	Closed	Open	Closed	Open	Closed	Open	Closed	Open					
20	UCFB 204 CX	89142	90044	41,3	126	72	46	28,6	10,5	19	18	36,3	47	49,5	45	40	12800	6600	8500	80254	80255	87259	83901	82305	82306	87540	87541								
25	UCFB 205 CX	89143	90045	41,3	126	72	46	28,6	10,5	19	17	36,5	47	49,5	50	45	14000	7800	9000	80075	80076	85384	85385	82276	82277	87542	87543								
30	UCFB 206 CX	89144	90046	47,6	142	85	52,4	32	10,5	26,3	20,7	41,7	53,2	55,7	60	50	19500	11300	11000	80011	80053	84100	80354	82278	82279	87531	87530								
35	UCFB 207 CX	89145	90047	51	155	94	60,5	32	10,5	26,3	20	43,2	56,5	59	70	55	25500	15300	13000	80077	80078	80969	80275	82284	82285	87544	87545								
40	UCFB 208 CX	89146	90048	50	165	100	60,5	41	10,5	26,3	19,5	44,8	65	68	78	65	32500	19800	18000	80256	80257	83088	86722	82280	82281	87528	82804								

ECCENTRIC COLLAR SHAFT LOCKING

D	SERIE	CHROME STEEL BEARING														COVER CODES											
		Support CODES		DIMENSIONS (mm)												Bearing load (N)		Bearing support load		GREY RAL 7042							
		Standard bearing	Long Life bearing	E	A	B	C	F	S	G	I	Z	U	T	DF	C	CO	(N)	Closed	Open	Closed	Open	Closed	Open	Closed	Open	
20	UCFB 204 CX	89157	90049	41,3	126	72	46	28,6	10,5	19	18	41,5	54	56,5	45	40	12800	6600	8500	88371	88372						
25	UCFB 205 CX	89158	90050	41,3	126	72	46	28,6	10,5	19	17	40,5	52,9	55,4	50	45	14000	7800	9000	88373	88374						
30	UCFB 206 CX	89159	90051	47,6	142	85	52,4	32	10,5	26,3	20,7	47,4	59,4	61,9	60	50	19500	11300	11000	88375	88376						
35	UCFB 207 CX	89160	90052	51	155	94	60,5	32	10,5	26,3	20	49,3	61,3	63,8	70	55	25500	15300	13000	88377	88378						
40	UCFB 208 CX	89161	90053	50	165	100	60,5	41	10,5	26,3	19,5	52,2	65	68	78	65	32500	19800	18000	80256	80257						

GRUB SCREWS SHAFT LOCKING

D	SERIE	STAINLESS STEEL BEARING AISI 440														COVER CODES																			
		Support CODES		DIMENSIONS (mm)												Bearing load (N)		Bearing support load		GREY RAL 7042				BLUE RAL 5015				ORANGE RAL 2004				RED RAL 3000			
		Standard bearing	Long Life bearing	E	A	B	C	F	S	G	I	Z	U	T	DF	C	CO	(N)	Closed	Open	Closed	Open	Closed	Open	Closed	Open	Closed	Open							
20	UCFB 204 CX	89162	90054	41,3	126	72	46	28,6	10,5	19	18	36,3	47	49,5	45	40	8300	6600	8500	80254	80255	87259	83901	82305	82306	87540	87541								
25	UCFB 205 CX	89163	90055	41,3	126	72	46	28,6	10,5	19	17	36,5	47	49,5	50	45	9150	7800	9000	80075	80076	85384	85385	82276	82277	87542	87543								
30	UCFB 206 CX	89164	90056	47,6	142	85	52,4	32	10,5	26,3	20,7	41,7	53,2	55,7	60	50	12500	11200	11000	80011	80053	84100	80354	82278	82279	87531	87530								
35	UCFB 207 CX	89165	90057	51	155	94	60,5	32	10,5	26,3	20	43,2	56,5	59	70	55	16600	15300	13000	80077	80078	80969	80275	82284	82285	87544	87545								
40	UCFB 208 CX	89166	90058	50	165	100	60,5	41	10,5	26,3	19,5	44,8	65	68	78	65	20000	19000	18000	80256	80257	83088	86722	82280	82281	87528	82804								

GRUB SCREWS SHAFT LOCKING - VERSIONS WITH MEASURES IN INCHES

D	SERIE	CHROME STEEL BEARING														COVER CODES																			
		Support CODES		DIMENSIONS (mm)												Bearing load (N)		Bearing support load		GREY RAL 7042				BLUE RAL 5015				ORANGE RAL 2004				RED RAL 3000			
		Standard bearing	Long Life bearing	E	A	B	C	F	S	G	I	Z	U	T	DF	C	CO	(N)	Closed	Open	Closed	Open	Closed	Open	Closed	Open	Closed	Open							
1"	UCFB 205 CX	89227	90059	41,3	126	72	46	28,6	10,5	19	17	36,5	47	49,5	50	45	14000	7800	9000	80075	85202	85384	87273	82276	87660	87542	87663								
1 1/4"	UCFB 206 CX	89228	90060	47,6	142	85	52,4	32	10,5	26,3	20,7	41,7	53,2	55,7	60	50	19500	11300	11000	80011	85203	84100	87274	82278	87661	87531	87664								

Inch dimensions conform to the British Imperial system