



Pillow Blocks

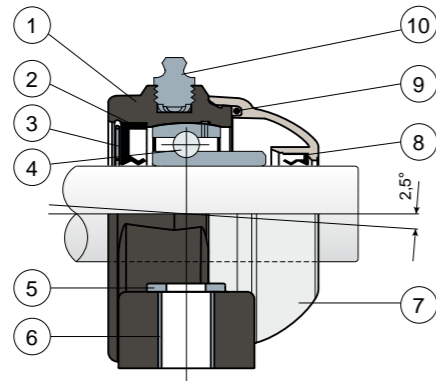
Serie **UCP/C**



- On request covers in polypropylene blue Ral 5015 colour.
- On request covers in polypropylene orange Ral 2004 colour.
- On request covers in polypropylene red Ral 3000 colour.

Long Life bearings: life long lubrication. **NEW**

Full protection of bearing



- 1) Housing made out of black or white colour polyamide reinforced with glass fibers.
- 2) Back gasket made out of NBR rubber for turning shaft seal.
- 3) Safety ring in stainless steel AISI 304.
- 4) Chrome steel or stainless steel bearing AISI 440.
- 5) UNI 6592 support washer made out of stainless steel AISI 304.
- 6) Spacer for fixing reinforcement made out of stainless steel AISI 304.
- 7) Protection cover made out of polypropylene (grey colour Ral 7042).
- 8) Front gasket made out of NBR rubber for turning shaft seal.
- 9) OR gasket made out of NBR rubber.
- 10) Greaser, straight type with 1/8 gas thread, made out of nickel-plated brass (absent in the versions with Long Life bearing).

N.B.: In the Long Life version, the greaser is absent and the lubrication channel is protected by a rubber cap.

Support dimensions respect ISO 3228 set of rules.
Maximum shaft alignment error 2,5°.
For further information please contact our technical office or sales department.

MATERIALS: Housing is made out of PA + glass fiber in black or white colours; chrome steel or stainless steel bearing; greaser made out of nickel plated brass; reinforcement bushings, washers and safety ring made out of stainless steel AISI 304; gaskets made out of NBR rubber; cover made out of grey RAL 7042 colour polypropylene.

FEATURES: Full protection of bearing against external agents. Assembly with not shouldered shafts. Maximum shaft alignment error 2,5°.

BOX QUANTITY: 8 pieces.

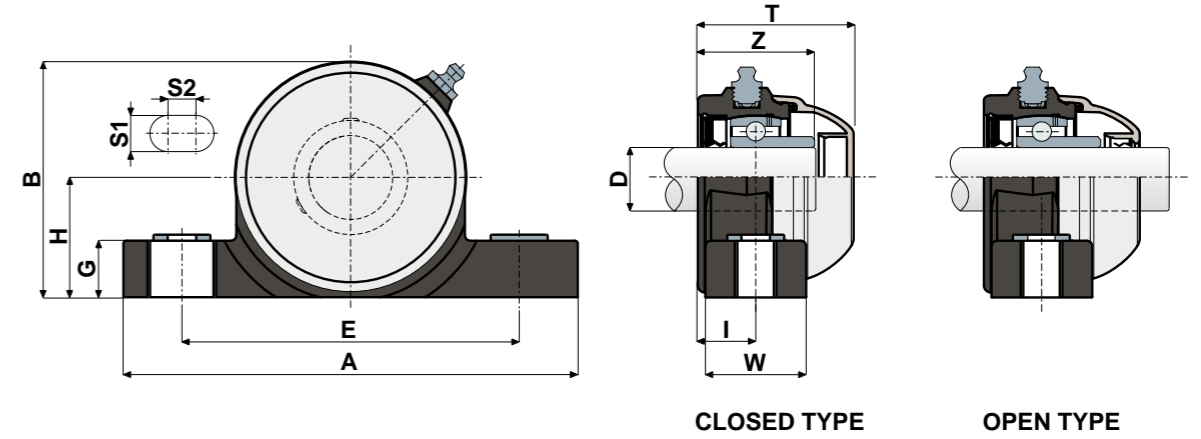
ON REQUEST: Versions with body in polypropylene + glass fiber and antibacterial additive; supports with eccentric collar shaft locking with chrome steel bearing; protection covers in different colours and with customized brand; box quantity according to your request; Viton gaskets.

Pillow Blocks

Technical data



Serie **UCP/C**



		CHROME STEEL BEARING																					
D	SERIE	CODES								DIMENSIONS (mm)										Bearing load (N)		Bearing support load	
		Standard bearing				Long Life bearing				E	A	S1	S2	G	H	B	I	W	Z	T	C	CO	(N)
		Closed	Open	Closed	Open	Closed	Open	Closed	Open														
20	UCP 204 C	84076	84077	84758	84759	90093	90094	90101	90102	96	130	13	10	20	33,5	65,5	18	30	36	49	12800	6600	5750
25	UCP 205 C	83682	83683	84760	84761	88590	88428	90103	90104	106	140	13	10	20	36,5	71,5	19,6	35	39	51,7	14000	7800	6900
30	UCP 206 C	83684	83685	84762	84763	90095	90096	90105	90106	121	163	13	10	20	43	84,5	20,7	36	41,7	55,7	19500	11300	9200
35	UCP 207 C	83686	83687	84764	84765	90097	90098	90107	90108	126	168	13	10	20	47,6	93,3	22,7	39	48	61,8	25500	15300	11500
40	UCP 208 C	85441	85443	85445	85446	90099	90100	90109	90110	136	185	13	10	20	50	100	22,5	38,6	51,5	70,7	32500	19800	11500

		STAINLESS STEEL BEARING AISI 440																					
D	SERIE	CODES								DIMENSIONS (mm)										Bearing load (N)		Bearing support load	
		Standard bearing				Long Life bearing				E	A	S1	S2	G	H	B	I	W	Z	T	C	CO	(N)
		Closed	Open	Closed	Open	Closed	Open	Closed	Open														
20	UCP 204 C	84078	84079	84766	84767	90111	90112	90119	90120	96	130	13	10	20	33,5	65,5	18	30	36	49	8300	6600	5750
25	UCP 205 C	83696	83697	84768	84769	90113	90114	90121	90122	106	140	13	10	20	36,5	71,5	19,6	35	39	51,7	9150	7800	6900
30	UCP 206 C	83698	83699	84770	84771	87416	87417	90123	90124	121	163	13	10	20	43	84,5	20,7	36	41,7	55,7	12500	11200	9200
35	UCP 207 C	83700	83701	84772	84773	90115	90116	90125	90126	126	168	13	10	20	47,6	93,3	22,7	39	48	61,8	16600	15300	11500
40	UCP 208 C	85447	85448	85449	85450	90117	90118	90127	90128	136	185	13	10	20	50	100	22,5	38,6	51,5	70,7	20000	19000	11500

VERSIONS WITH MEASURES IN INCHES

		CHROME STEEL BEARING																					
D	SERIE	CODES								DIMENSIONS (mm)										Bearing load (N)		Bearing support load	
		Standard bearing				Long Life bearing				E	A	S1	S2	G	H	B	I	W	Z	T	C	CO	(N)
		Closed	Open	Closed	Open	Closed	Open	Closed	Open														
1"	UCP 205 C	84531	84532	84923	84924	90129	90130	90133	90134	106	140	13	10	20	36,5	71,5	19,6	35	39	51,7	14000	7800	6900
1 1/4"	UCP 206 C	84533	84534	84925	84926	90131	90132	90135	90136	121	163	13	10	20	43	84,5	20,7	36	41,7	55,7	19500	11300	9200

Inch dimensions conform to the British Imperial system