



Pillow Blocks (Solid)

Serie **UCP/C**



On request covers in polypropylene blue Ral 5015 colour.

On request covers in polypropylene grey Ral 7042 colour.

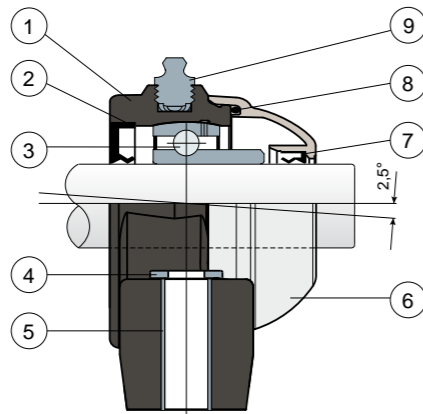
On request covers in polypropylene red Ral 3000 colour.

Self-aligning bearings with Solid body: completely closed surface to guarantee the max hygiene.

Long Life bearings: life long lubrication.

NEW

Full protection of bearing



- 1) Housing made out of blue Ral 5005 colour polyamide reinforced with glass fibers.
- 2) Back gasket made out of NBR rubber for turning shaft seal.
- 3) Chrome steel or stainless steel bearing AISI 440.
- 4) UNI 6592 support washer made out of stainless steel AISI 304.
- 5) Spacer for fixing reinforcement made out of stainless steel AISI 304.
- 6) Protection cover made out of polypropylene (orange Ral 2004 colour).
- 7) Front gasket made out of NBR rubber for turning shaft seal.
- 8) OR gasket made out of NBR rubber.
- 9) Greaser, straight type with 1/8 gas thread, made out of stainless steel AISI 303 (absent in the versions with Long Life bearing).

N.B.: In the Long Life version, the greaser is absent and the lubrication channel is protected by a rubber cap.

Support dimensions respect ISO 3228 set of rules

Maximum shaft alignment error 2,5°

For further information please contact our technical office or sales department.

MATERIALS: Support made out of blue Ral 5005 colour PA + glass fiber; chrome steel or stainless steel bearing; greaser made out of stainless steel; reinforcement bushings and washers made out of stainless steel AISI 304; gaskets made out of NBR rubber; cover made out of orange Ral 2004 colour polypropylene.

FEATURES: Full protection of bearing against external agents. Assembly with not shouldered shafts. The reduced contact surface of the support allows maximum sanitation. Maximum shaft alignment error 2.5°.

BOX QUANTITY: 8 pieces.

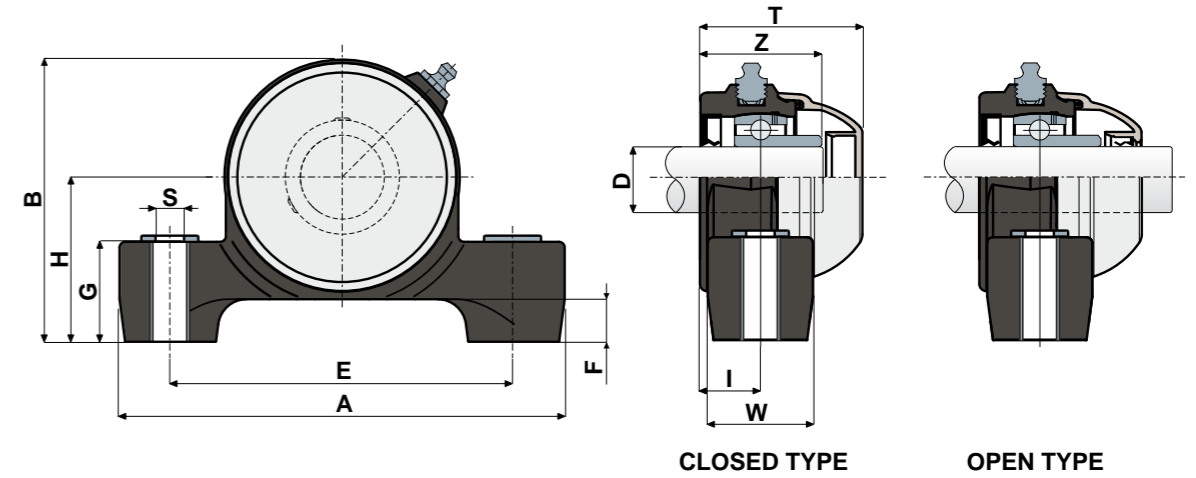
ON REQUEST: Versions with body in polypropylene + glass fiber and antibacterial additive; supports with eccentric collar shaft locking with chrome steel bearing; protection covers in different colours and with customized brand; box quantity according to your request; Viton gaskets.

Pillow Blocks (Solid)

Technical data



Serie **UCP/C**



D	SERIE	CHROME STEEL BEARING																Bearing load (N)	Bearing support load (N)		
		CODES				DIMENSIONS (mm)														C	CO
		Standard bearing	Long Life bearing			E	A	S	F	G	H	B	I	W	Z	T					
		Blue Ral 5005																			
25	UCP 205 C	88642	88643	90137	90138	106	141	10,5	15	34,5	51,5	86,5	19,6	35	39	51,7	14000	7800	6900		
30	UCP 206 C	88399	88400	90139	90140	121	157	10,5	15	34,5	58	99,5	20,7	36	42,7	55,6	19500	11300	9200		

D	SERIE	STAINLESS STEEL BEARING AISI 440																Bearing load (N)	Bearing support load (N)		
		CODES				DIMENSIONS (mm)														C	CO
		Standard bearing	Long Life bearing			E	A	S	F	G	H	B	I	W	Z	T					
		Blue Ral 5005																			
25	UCP 205 C	88645	88646	90141	90142	106	141	10,5	15	34,5	51,5	86,5	19,6	35	39	51,7	9150	7800	6900		
30	UCP 206 C	88639	88640	90143	90144	121	157	10,5	15	34,5	58	99,5	20,7	36	42,7	55,6	12500	11200	9200		