



Compact Pillow Blocks (Solid)

Serie **UCPA**



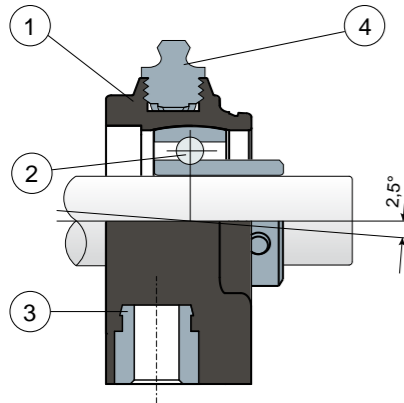
Self-aligning bearings with Solid body: completely closed surface to guarantee the max hygiene.



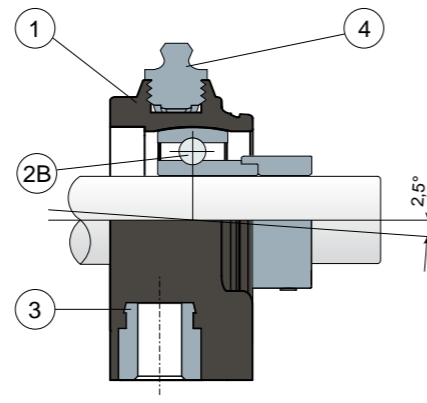
Long Life bearings: life long lubrication.



Grub screws shaft locking - Without cover and back gasket



Eccentric collar shaft locking - Without cover and back gasket



- 1) Housing made out of black, white or blue Ral 5005 colour polyamide reinforced with glass fibers.
- 2) Chrome steel or stainless steel bearing AISI 440.
- 2B) Chrome steel bearing.
- 3) Bushing made of nickel plated brass.
- 4) Greaser, straight type with 1/8 gas thread, made out of nickel-plated brass (absent in the versions with Long Life bearing).

NOTE: The back gasket and the protection cover can be ordered separately as accessories; in the Long Life version, the greaser is absent and the lubrication channel is protected by a rubber cap.

Support dimensions respect ISO 3228 set of rules.
Maximum shaft alignment error 2,5°.
For further information please contact our technical office or sales department.

MATERIALS: Housing is made out of PA + glass fiber in black, white or blue Ral 5005 colours; bearing with grub screws shaft locking in chrome steel or stainless steel; bearing with eccentric collar shaft locking in chrome steel; greaser and bushings made out of nickel plated brass; gaskets made out of NBR rubber; cover made out of polypropylene grey Ral 7042, blue Ral 5015, orange Ral 2004 or red Ral 3000 colour.

FEATURES: The back gasket and the protection cover can be ordered separately as accessories. Assembly with shouldered and not shouldered shafts. Maximum shaft alignment error 2,5°.

BOX QUANTITY: 8 pieces.

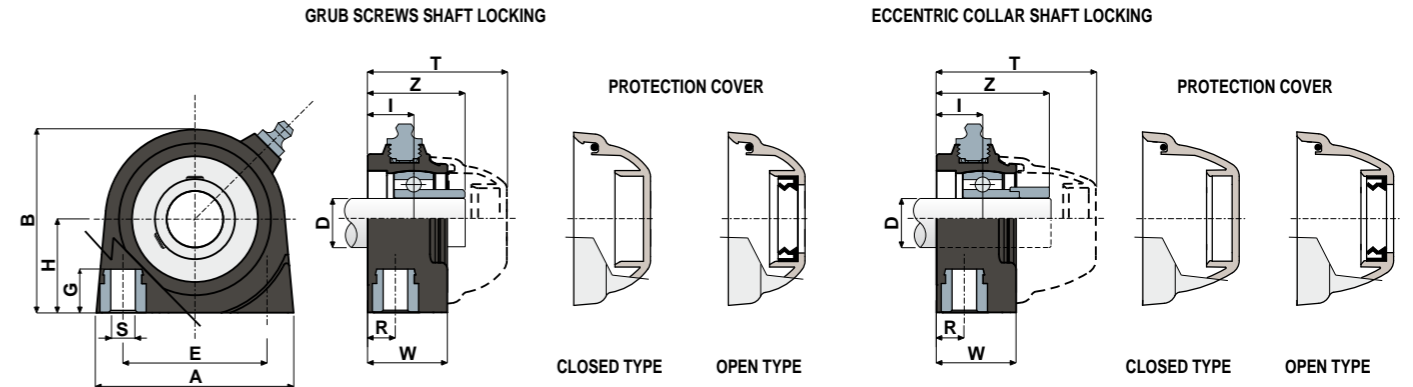
ON REQUEST: Versions with body in polypropylene + glass fiber and antibacterial additive; protection covers in different colours and with customized brand; box quantity according to your request; Viton gaskets.

Compact Pillow Blocks (Solid)

Technical data



Serie **UCPA**



GRUB SCREWS SHAFT LOCKING

D	SERIE	CHROME STEEL BEARING															COVER CODES													
		Support CODES						DIMENSIONS (mm)									Bearing load (N)		Bearing support load		GREY RAL 7042				BLUE RAL 5015		ORANGE RAL 2004		RED RAL 3000	
		Standard bearing		Long Life bearing				E	A	S	G	H	B	R	W	I	Z	T	C	CO	(N)	Closed	Open	Closed	Open	Closed	Open	Closed	Open	
20	UCPA 204	85614	85630	89264	90272	90274	90276	50,8	70	M8	13	33,2	65	10	28	16,2	34,2	49	12800	6600	2500	80254	80255	87259	83901	82305	82306	87540	87541	
25	UCPA 205	85615	85631	89265	90273	90275	90277	50,8	75	M10	13	36,5	72	12	30	18,8	38,3	52	14000	7800	3000	80075	80076	85384	85385	82276	82277	87542	87543	

ECCENTRIC COLLAR SHAFT LOCKING

D	SERIE	CHROME STEEL BEARING															COVER CODES						
		Support CODES						DIMENSIONS (mm)									Bearing load (N)		Bearing support load		GREY RAL 7042		
		Standard bearing		Long Life bearing				E	A	S	G	H	B	R	W	I	Z	T	C	CO	(N)	Closed	Open
20	UCPA 204	88611	88613	89266	90278	90280	90282	50,8	70	M8	13	33,2	65	10	28	16,2	39,7	56	12800	6600	2500	88371	88372
25	UCPA 205	88612	88614	89267	90279	90281	90283	50,8	75	M10	13	36,5	72	12	30	18,8	42,3	58	14000	7800	3000	88373	88374

GRUB SCREWS SHAFT LOCKING

D	SERIE	STAINLESS STEEL BEARING AISI 440															COVER CODES													
		Support CODES						DIMENSIONS (mm)									Bearing load (N)		Bearing support load		GREY RAL 7042				BLUE RAL 5015		ORANGE RAL 2004		RED RAL 3000	
		Standard bearing		Long Life bearing				E	A	S	G	H	B	R	W	I	Z	T	C	CO	(N)	Closed	Open	Closed	Open	Closed	Open	Closed	Open	
20	UCPA 204	85616	85632	89268	90284	90286	90288	50,8	70	M8	13	33,2	65	10	28	16,2	34,2	49	8300	6600	2500	80254	80255	87259	83901	82305	82306	87540	87541	
25	UCPA 205	85617	85633	89269	90285	90287	90289	50,8	75	M10	13	36,5	72	12	30	18,8	38,3	52	9150	7800	3000	80075	80076	85384	85385	82276	82277	87542	87543	