



# Pillow Blocks ( Solid )

Series **UCP/C**



On request covers in polypropylene blue Ral 5015 colour.

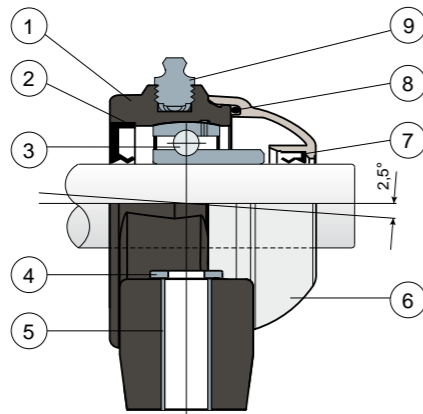
On request covers in polypropylene grey Ral 7042 colour.

On request covers in polypropylene red Ral 3000 colour.

Self-aligning bearings with Solid body: completely closed surface to guarantee the max hygiene.

Long Life bearings: life long lubrication.

Full protection of bearing



- 1) Housing made out of blue Ral 5005 colour polyamide reinforced with glass fibers.
- 2) Back gasket made out of NBR rubber for turning shaft seal.
- 3) Chrome steel or stainless steel bearing AISI 440.
- 4) UNI 6592 support washer made out of stainless steel AISI 304.
- 5) Spacer for fixing reinforcement made out of stainless steel AISI 304.
- 6) Protection cover made out of polypropylene (orange Ral 2004 colour).
- 7) Front gasket made out of NBR rubber for turning shaft seal.
- 8) OR gasket made out of NBR rubber.
- 9) Greaser, straight type with 1/8 gas thread, made out of stainless steel AISI 303 (absent in the versions with Long Life bearing).

N.B.: In the Long Life version, the greaser is absent and the lubrication channel is protected by a rubber cap.

Support dimensions respect ISO 3228 set of rules

Maximum shaft alignment error 2,5°

For further information please contact our technical office or sales department.

**MATERIALS:** Support made out of blue Ral 5005 colour PA + glass fiber; chrome steel or stainless steel bearing; greaser made out of stainless steel; reinforcement bushings and washers made out of stainless steel AISI 304; gaskets made out of NBR rubber; cover made out of orange Ral 2004 colour polypropylene.

**FEATURES:** Full protection of bearing against external agents. Assembly with not shouldered shafts. The reduced contact surface of the base of the support allows maximum sanitation. Maximum shaft alignment error 2.5°.

**BOX QUANTITY:** 8 pieces.

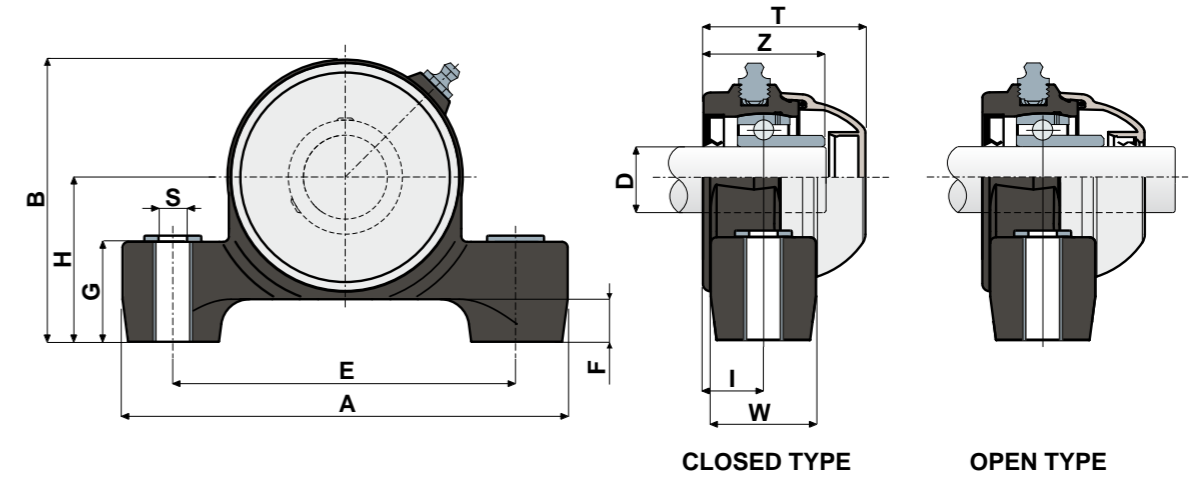
**ON REQUEST:** Versions with body in polypropylene + glass fiber and antibacterial additive; supports with eccentric collar shaft locking with chrome steel bearing; protection covers in different colours and with customized brand; box quantity according to your request; Viton gaskets.

# Pillow Blocks ( Solid )

Technical data



Series **UCP/C**



		CHROME STEEL BEARING																	
D	SERIES	CODES				DIMENSIONS (mm)											Bearing load (N)		Bearing support load (N)
		Standard bearing		Long Life bearing		E	A	S	F	G	H	B	I	W	Z	T	C	CO	
		Closed	Open	Closed	Open														
20	UCP 204 C	90750	90751	90762	90763	96	126	10,5	15	35,2	48,5	80,5	18	30	36,4	49	12800	6600	5750
25	UCP 205 C	88642	88643	90137	90138	106	141	10,5	15	34,5	51,5	86,5	19,6	35	39	51,7	14000	7800	6900
30	UCP 206 C	88399	88400	90139	90140	121	157	10,5	15	34,5	58	99,5	20,7	36	42,7	55,6	19500	11300	9200
35	UCP 207 C	90752	90753	90764	90765	126	165	10,5	15	34,5	62	107,8	21,4	39	44,7	61,8	25500	15300	11500
40	UCP 208 C	90754	90755	90766	90767	136	174,6	10,5	15	35	65	115	22,5	38,6	47,8	70,8	32500	19800	11500

		STAINLESS STEEL BEARING AISI 440																	
D	SERIES	CODES				DIMENSIONS (mm)											Bearing load (N)		Bearing support load (N)
		Standard bearing		Long Life bearing		E	A	S	F	G	H	B	I	W	Z	T	C	CO	
		Closed	Open	Closed	Open														
20	UCP 204 C	90756	90757	90768	90769	96	126	10,5	15	35,2	48,5	80,5	18	30	36,4	49	8300	6600	5750
25	UCP 205 C	88645	88646	90141	90142	106	141	10,5	15	34,5	51,5	86,5	19,6	35	39	51,7	9150	7800	6900
30	UCP 206 C	88639	88640	90143	90144	121	157	10,5	15	34,5	58	99,5	20,7	36	42,7	55,6	12500	11200	9200
35	UCP 207 C	90758	90759	90770	90771	126	165	10,5	15	34,5	62	107,8	21,4	39	44,7	61,8	16600	15300	11500
40	UCP 208 C	90760	90761	90772	90773	136	174,6	10,5	15	35	65	115	22,5	38,6	47,8	70,8	20000	19000	11500