



Pillow Blocks (Solid)

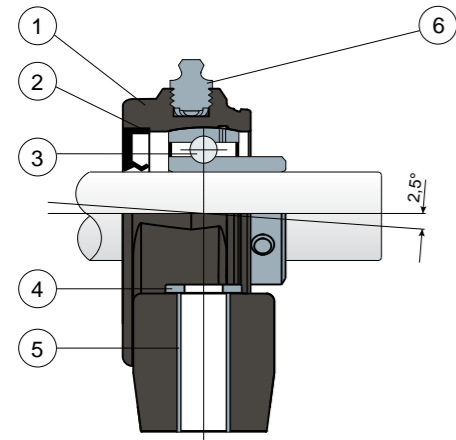
Series **UCP/CX**



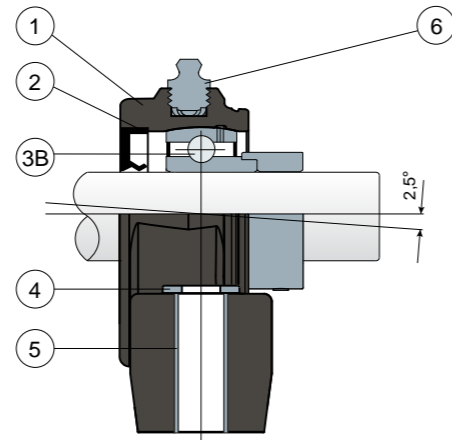
S Self-aligning bearings with Solid body: completely closed surface to guarantee the max hygiene.

L Long Life bearings: life long lubrication.

Grub screws shaft locking - Without protection cover



Eccentric collar shaft locking - Without protection cover



- 1) Housing made out of blue Ral 5005 colour polyamide reinforced with glass fibers.
- 2) Back gasket made out of NBR rubber for turning shaft seal.
- 3) Chrome steel or stainless steel bearing AISI 440.
- 3B) Chrome steel bearing.
- 4) UNI 6592 support washer made out of stainless steel AISI 304.
- 5) Spacer for fixing reinforcement made out of stainless steel AISI 304.
- 6) Greaser, straight type with 1/8 gas thread, made out of stainless steel AISI 303 (absent in the versions with Long Life bearing).

NOTE: The protection cover can be ordered separately as an accessory; in the Long Life version, the greaser is absent and the lubrication channel is protected by a rubber cap.

Support dimensions respect ISO 3228 set of rules
 Maximum shaft alignment error 2,5°
 For further information please contact our technical office or sales department.

MATERIALS: Support made out of blue Ral 5005 colour PA + glass fiber; bearing with grub screws shaft locking in chrome steel or stainless steel; bearing with eccentric collar shaft locking in chrome steel; greaser made out of stainless steel; reinforcement bushings and washers made out of stainless steel AISI 304; gaskets made out of NBR rubber; cover made out of polypropylene grey Ral 7042, blue Ral 5015, orange Ral 2004, red Ral 3000 colour.
FEATURES: The protection cover can be ordered separately as an accessory. The reduced contact surface of the base of the support allows maximum sanitation. Assembly with not shouldered shafts. Maximum shaft alignment error 2.5°.

BOX QUANTITY: 8 pieces.

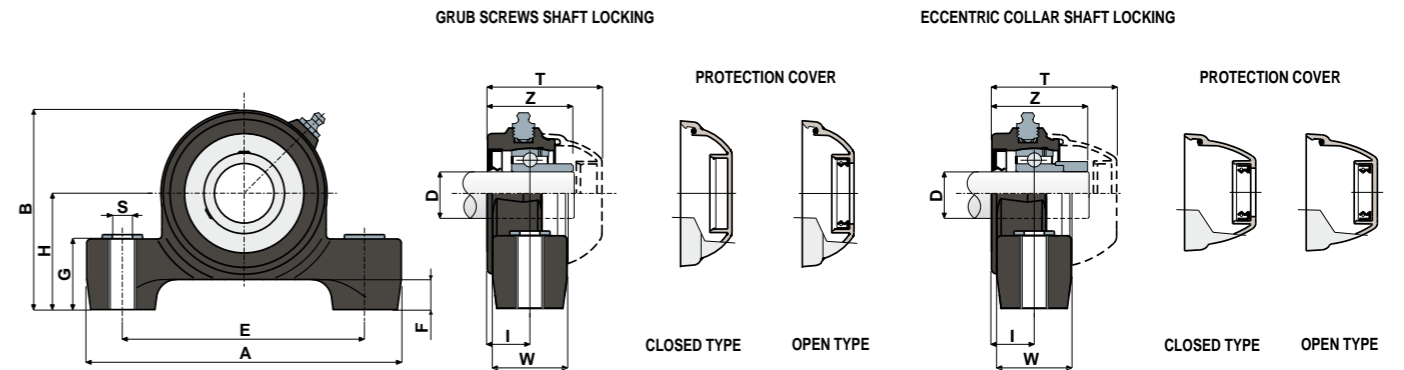
ON REQUEST: Versions with body in polypropylene + glass fiber and antibacterial additive; protection covers in different colours and with customized brand; box quantity according to your request; Viton gaskets; available without NBR rubber back gasket for turning shaft seal.

Pillow Blocks (Solid)

Technical data



Series **UCP/CX**



GRUB SCREWS SHAFT LOCKING

D	SERIES	CHROME STEEL BEARING														COVER CODES									
		Support CODES		DIMENSIONS (mm)										Bearing load (N)		Bearing support load		GREY RAL 7042		BLUE RAL 5015		ORANGE RAL 2004		RED RAL 3000	
		Standard bearing	Long Life bearing	E	A	S	F	G	H	B	I	W	Z	T	C	CO	(N)	Closed	Open	Closed	Open	Closed	Open	Closed	Open
20	UCP 204 CX	90774	90783	96	126	10,5	15	35,2	48,5	80,5	18	30	36,4	49	12800	6600	5750	80254	80255	87259	83901	82305	82306	87540	87541
25	UCP 205 CX	88644	90187	106	141	10,5	15	34,5	51,5	86,5	19,6	35	39	51,7	14000	7800	6900	80075	80076	85384	85385	82276	82277	87542	87543
30	UCP 206 CX	88401	90188	121	157	10,5	15	34,5	58	99,5	20,7	36	42,7	55,6	19500	11300	9200	80011	80053	84100	80354	82278	82279	87531	87530
35	UCP 207 CX	90775	90784	126	165	10,5	15	34,5	62	107,8	21,4	39	44,7	61,8	25500	15300	11500	80077	80078	80969	80275	82284	82285	87544	87545
40	UCP 208 CX	90776	90785	136	174,6	10,5	15	35	65	115	22,5	38,6	47,8	70,8	32500	19800	11500	80256	80257	83088	86722	82280	82281	87528	82804

ECCENTRIC COLLAR SHAFT LOCKING

D	SERIES	CHROME STEEL BEARING														COVER CODES			
		Support CODES		DIMENSIONS (mm)										Bearing load (N)		Bearing support load		GREY RAL 7042	
		Standard bearing	Long Life bearing	E	A	S	F	G	H	B	I	W	Z	T	C	CO	(N)	Closed	Open
20	UCP 204 CX	90777	90786	96	126	10,5	15	35,2	48,5	80,5	18	30	41,6	56	12800	6600	5750	88371	88372
25	UCP 205 CX	88650	90189	106	141	10,5	15	34,5	51,5	86,5	19,6	35	43	57,5	14000	7800	6900	88373	88374
30	UCP 206 CX	88651	90190	121	157	10,5	15	34,5	58	99,5	20,7	36	47,4	61,8	19500	11300	9200	88375	88376
35	UCP 207 CX	90778	90787	126	165	10,5	15	34,5	62	107,8	21,4	39	50,8	66,5	25500	15300	11500	88377	88378
40	UCP 208 CX	90779	90788	136	174,6	10,5	15	35	65	115	22,5	38,6	55,2	70,8	32500	19800	11500	80256	80257

GRUB SCREWS SHAFT LOCKING

D	SERIES	STAINLESS STEEL BEARING AISI 440														COVER CODES									
		Support CODES		DIMENSIONS (mm)										Bearing load (N)		Bearing support load		GREY RAL 7042		BLUE RAL 5015		ORANGE RAL 2004		RED RAL 3000	
		Standard bearing	Long Life bearing	E	A	S	F	G	H	B	I	W	Z	T	C	CO	(N)	Closed	Open	Closed	Open	Closed	Open	Closed	Open
20	UCP 204 CX	90780	90789	96	126	10,5	15	35,2	48,5	80,5	18	30	36,4	49	8300	6600	5750	80254	80255	87259	83901	82305	82306	87540	87541
25	UCP 205 CX	88647	90191	106	141	10,5	15	34,5	51,5	86,5	19,6	35	39	51,7	9150	7800	6900	80075	80076	85384	85385	82276	82277	87542	87543
30	UCP 206 CX	88641	90192	121	157	10,5	15	34,5	58	99,5	20,7	36	42,7	55,6	12500	11200	9200	80011	80053	84100	80354	82278	82279	87531	87530
35	UCP 207 CX	90781	90790	126	165	10,5	15	34,5	62	107,8	21,4	39	44,7	61,8	16600	15300	11500	80077	80078	80969	80275	82284	82285	87544	87545
40	UCP 208 CX	90782	90791	136	174,6	10,5	15	35	65	115	22,5	38,6	47,8	70,8	20000	19000	11500	80256	80257	83088	86722	82280	82281	87528	82804