



Compact Pillow Blocks (Solid)

Series **UCPA/C**

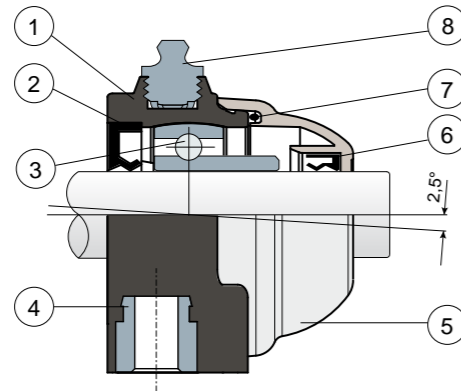


- On request covers in polypropylene blue Ral 5015 colour.
- On request covers in polypropylene orange Ral 2004 colour.
- On request covers in polypropylene red Ral 3000 colour.

Self-aligning bearings with Solid body: completely closed surface to guarantee the max hygiene.

Long Life bearings: life long lubrication.

Full protection of bearing



- 1) Housing made out of black or white colour polyamide reinforced with glass fibers.
- 2) Back gasket made out of NBR rubber for turning shaft seal.
- 3) Chrome steel or stainless steel bearing AISI 440.
- 4) Bushing made of nickel plated brass.
- 5) Protection cover made out of polypropylene (grey colour Ral 7042).
- 6) Front gasket made out of NBR rubber for turning shaft seal.
- 7) OR gasket made out of NBR rubber.
- 8) Greaser, straight type with 1/8 gas thread, made out of nickel-plated brass (absent in the versions with Long Life bearing).

N.B.: In the Long Life version, the greaser is absent and the lubrication channel is protected by a rubber cap.

Support dimensions respect ISO 3228 set of rules.
Maximum shaft alignment error 2,5°.
For further information please contact our technical office or sales department.

MATERIALS: Housing is made out of PA + glass fiber in black or white colours; chrome steel or stainless steel bearing; greaser and bushings made out of nickel plated brass; gaskets made out of NBR rubber; cover made out of grey RAL 7042 colour polypropylene.

FEATURES: Full protection of bearing against external agents. Assembly with not shouldered shafts. Maximum shaft alignment error 2,5°.

BOX QUANTITY: 8 pieces.

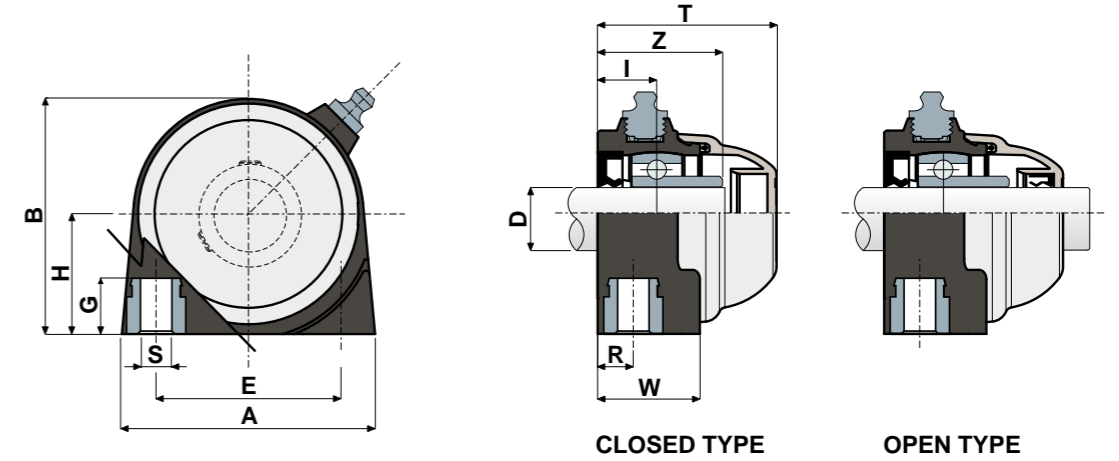
ON REQUEST: Versions with body in polypropylene + glass fiber and antibacterial additive; supports with eccentric collar shaft locking with chrome steel bearing; protection covers in different colours and with customized brand; box quantity according to your request; Viton gaskets.

Compact Pillow Blocks (Solid)

Technical data



Series **UCPA/C**



CHROME STEEL BEARING																							
D	SERIES	CODES								DIMENSIONS (mm)										Bearing load (N)		Bearing support load (N)	
		Standard bearing				Long Life bearing				E	A	S	G	H	B	R	W	I	Z	T	C		CO
		Black		White		Black		White															
20	UCPA 204 C	85601	85603	85618	85619	86738	86805	90244	90245	50,8	70	M8	13	33,2	65	10	28	16,2	34,2	49	12800	6600	2500
25	UCPA 205 C	85604	85605	85620	85621	88726	90243	90246	90247	50,8	75	M10	13	36,5	72	12	30	18,8	38,3	52	14000	7800	3000

STAINLESS STEEL BEARING AISI 440																							
D	SERIES	CODES								DIMENSIONS (mm)										Bearing load (N)		Bearing support load (N)	
		Standard bearing				Long Life bearing				E	A	S	G	H	B	R	W	I	Z	T	C		CO
		Black		White		Black		White															
20	UCPA 204 C	85606	85607	85622	85623	90248	90249	90252	90253	50,8	70	M8	13	33,2	65	10	28	16,2	34,2	49	8300	6600	2500
25	UCPA 205 C	85608	85609	85624	85625	90250	90251	90254	90255	50,8	75	M10	13	36,5	72	12	30	18,8	38,3	52	9150	7800	3000