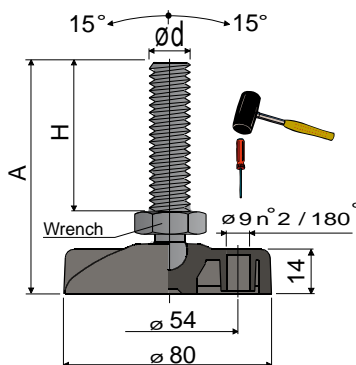


PA articulated feet

(in reinforced polyamide)

Part. **25** \varnothing **80**



Spindle measures in mm			Wrench	Spindle and base in reinforced polyamide Code	Max static load (N)
$\varnothing d$	A	H			
M16x2	104	67	24	25 / 7629	7000
M20x2,5	177	140	24	25 / 80162	7500

Spindle and base material: Reinforced polyamide black colour.

Box quantity: 24 pieces.

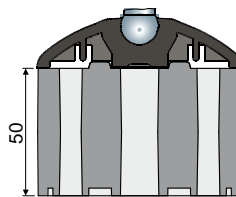
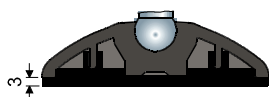
Accessories

Anti-slip pads:

- code: 7266;
- material: thermoplastic rubber
- 68 Shore black colour;
- box quantity: 24 pieces.

Spacers:

- code: 86797 (see pag. 266);
- material: Reinforced polyamide black colour;
- box quantity: 8 pieces.



Washers UNI 6592-69 - Box quantity: 24 pieces.

Nuts UNI 5588-65 - Box quantity: 24 pieces.

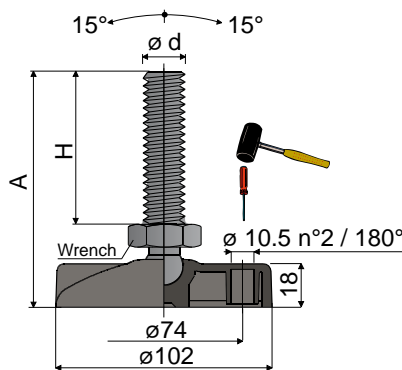
$\varnothing M$	M16	M20
Smm	3	3
$\varnothing A$ mm	30	37
Zinc plated steel codes	7289	7290
Stainless steel codes	7291	7292

$\varnothing d$	M16	M20
Smm	13	16
Ch. mm	24	30
Zinc plated steel codes	7275	7276
Stainless steel codes	7277	7278

On request

- Bases: In reinforced polypropylene (maximum static load is reduced to 1/3 compared to that with polyamide base) • other colours.
- Box quantity: Not standard.
- Assembling of: Anti-slip pads • nuts • washers.

Part. **38** \varnothing **102**



Spindle measures in mm			Wrench	Spindle and base in reinforced polyamide Code	Max static load (N)
$\varnothing d$	A	H			
M16x2	107	67	24	38 / 7630	7000
M20x2,5	180	140	24	38 / 80155	7500

Spindle and base material: Reinforced polyamide black colour.

Box quantity: 24 pieces.

Accessories

Anti-slip pads:

- code: 7267;
- material: thermoplastic rubber 68 Shore black colour;
- box quantity: 24 pieces.

Washers UNI 6592-69 - Box quantity: 24 pieces.

Nuts UNI 5588-65 - Box quantity: 24 pieces.



$\varnothing M$	M16	M20
Smm	3	3
$\varnothing A$ mm	30	37
Zinc plated steel codes	7289	7290
Stainless steel codes	7291	7292

$\varnothing d$	M16	M20
Smm	13	16
Ch. mm	24	30
Zinc plated steel codes	7275	7276
Stainless steel codes	7277	7278

On request

- Bases: In reinforced polypropylene (maximum static load is reduced to 1/3 compared to that with polyamide base) • other colours.
- Box quantity: Not standard.
- Assembling of: Anti-slip pads • nuts • washers.