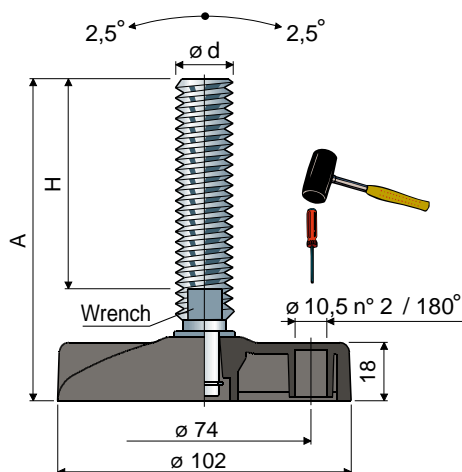


# Adjustable feet

(base in reinforced polyamide)

Part. **87**  $\varnothing$  **102**



Spindle measures in mm				Base colour						Max static load (N)
				BLACK			BLUE RAL 5005			
$\varnothing d$	A	H	Wrench	Spindle material			Spindle material			
				Zinc plated steel Code	Stainless steel AISI 304 Code	Stainless steel AISI 316 Code	Zinc plated steel Code	Stainless steel AISI 304 Code	Stainless steel AISI 316 Code	
M16x2	98	58	13	87 / 7498	87 / 7499	-	87 / 87870	87 / 87871	-	33000
	129	89	13	87 / 89288 <b>NEW</b>	87 / 89295 <b>NEW</b>	-	87 / 89290 <b>NEW</b>	87 / 89297 <b>NEW</b>	-	
	159	119	13	87 / 7904	87 / 7905	-	87 / 87872	87 / 87873	-	
	185	145	13	87 / 7154	87 / 7155	-	87 / 87874	87 / 87875	-	
	241	201	13	87 / 7156	87 / 7157	-	87 / 87876	87 / 87877	-	
M18x2,5	197	157	15	87 / 82134	87 / 82135	-	87 / 87878	87 / 87879	-	35000
	132	89	17	87 / 87316	87 / 87317	-	87 / 87880	87 / 87881	-	
M20x2,5	150	107	17	87 / 7158	87 / 7159	-	87 / 87882	87 / 87883	-	35000
	179	136	17	87 / 7500	87 / 7501	-	87 / 87884	87 / 87885	-	
	200	157	17	87 / 7160	87 / 7161	87 / 85137	87 / 87886	87 / 87887	87 / 87900	
	233	190	17	87 / 83214	87 / 83215	-	87 / 87888	87 / 87889	-	
	281	238	17	87 / 83216	87 / 83217	-	87 / 87890	87 / 87891	-	
M24x3	136	90	19	87 / 7162	87 / 7163	-	87 / 87892	87 / 87893	-	37000
	173	127	19	87 / 7502	87 / 7503	-	87 / 87894	87 / 87895	-	
	208	162	19	87 / 7164	87 / 7165	-	87 / 87896	87 / 87897	-	
	248	202	19	87 / 83218	87 / 83219	-	87 / 87898	87 / 87899	-	

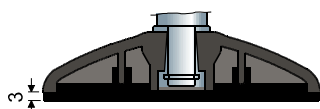
Base material: Reinforced polyamide black or blue Ral 5005 colour.

Box quantity: 24 pieces.

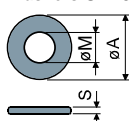
### Accessories

#### Anti-slip pads:

- code: 7267;
- material: thermoplastic rubber 68 Shore black colour;
- box quantity: 24 pieces.

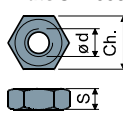


#### Washers UNI 6592-69 - Box quantity: 24 pieces.



$\varnothing M$	M16	M20	M24
Smm	3	3	4
$\varnothing A$ mm	30	37	44
Zinc plated steel codes	7289	7290	7293
Stainless steel codes	7291	7292	7294

#### Nuts UNI 5588-65 - Box quantity: 24 pieces.



$\varnothing d$	M16	M20	M24
Smm	13	16	19
Ch. mm	24	30	36
Zinc plated steel codes	7275	7276	7279
Stainless steel codes	7277	7278	7280

#### On request

- Bases: In reinforced polypropylene (maximum static load is reduced to 1/3 compared to that with polyamide base) • other colours • with pre-bored fixing holes.
- Spindles with: Sunk hexagon head • second wrench seat head • hexagon wrench seat • threads with other pitches and lengths.
- Box quantity: Not standard.
- Assembling of: Anti-slip pads • nuts • washers.