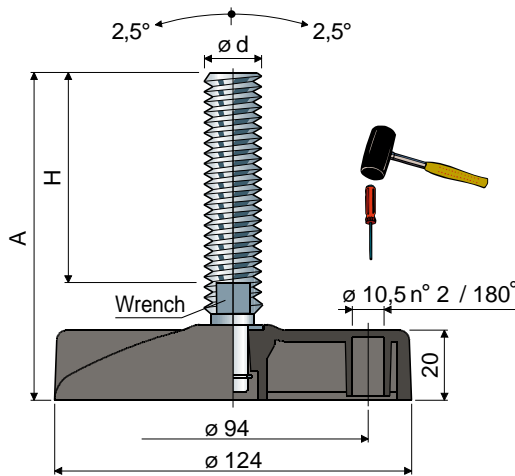


Adjustable feet

(base in reinforced polyamide)

Ø 124 Part. 89



Spindle measures in mm				Base colour						Max static load (N)
				BLACK			BLUE RAL 5005			
ø d	A	H	Wrench	Spindle material			Spindle material			
				Zinc plated steel Code	Stainless steel AISI 304 Code	Stainless steel AISI 316 Code	Zinc plated steel Code	Stainless steel AISI 304 Code	Stainless steel AISI 316 Code	
M16x2	100	58	13	89 / 7504	89 / 7505	-	89 / 87902	89 / 87903	-	43000
	131	89	13	89 / 89292 NEW	89 / 89299 NEW	-	89 / 89294 NEW	89 / 89301 NEW	-	
	161	119	13	89 / 7906	89 / 7907	-	89 / 87904	89 / 87905	-	
	187	145	13	89 / 7166	89 / 7167	-	89 / 87906	89 / 87907	-	
	243	201	13	89 / 7168	89 / 7169	-	89 / 87908	89 / 87909	-	
M18x2,5	199	157	15	89 / 7852	89 / 7851	-	89 / 87910	89 / 87911	-	45000
	134	89	17	89 / 87318	89 / 87319	-	89 / 87912	89 / 87913	-	
	152	107	17	89 / 7170	89 / 7171	-	89 / 87914	89 / 87915	-	
M20x2,5	181	136	17	89 / 7506	89 / 7507	-	89 / 87916	89 / 87917	-	47000
	202	157	17	89 / 7172	89 / 7173	89 / 85138	89 / 87918	89 / 87919	89 / 87901	
	235	190	17	89 / 83220	89 / 83221	-	89 / 87920	89 / 87921	-	
	283	238	17	89 / 83222	89 / 83223	-	89 / 87922	89 / 87923	-	
	138	90	19	89 / 7174	89 / 7175	-	89 / 87924	89 / 87925	-	
M24x3	175	127	19	89 / 7508	89 / 7509	-	89 / 87926	89 / 87927	-	50000
	210	162	19	89 / 7176	89 / 7177	-	89 / 87928	89 / 87929	-	
	250	202	19	89 / 83224	89 / 83225	-	89 / 87930	89 / 87931	-	
M30x3,5	173	125	24	89 / 7178	89 / 7179	-	89 / 87932	89 / 87933	-	50000
	233	185	24	89 / 7180	89 / 7181	-	89 / 87934	89 / 87935	-	

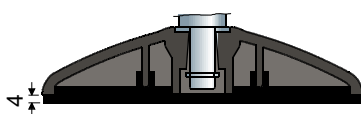
Base material: Reinforced polyamide black or blue Ral 5005 colour.

Box quantity: 8 pieces.

Accessories

Anti-slip pads:

- code: 7268;
- material: thermoplastic rubber 68 Shore black colour;
- box quantity: 8 pieces.



Washers UNI 6592-69 - Box quantity: 24 pieces.

ø M	M16	M20	M24	M30
Smm	3	3	4	4
ø Amm	30	37	44	56
Zinc plated steel codes	7289	7290	7293	7295
Stainless steel codes	7291	7292	7294	7296

Nuts UNI 5588-65 - Box quantity: 24 pieces.

ø d	M16	M20	M24	M30
Smm	13	16	19	24
Ch. mm	24	30	36	46
Zinc plated steel codes	7275	7276	7279	7281
Stainless steel codes	7277	7278	7280	7282

On request

- Bases: In reinforced polypropylene (maximum static load is reduced to 1/3 compared to that with polyamide base) • other colours • with pre-bored fixing holes.
- Spindles with: Sunk hexagon head • second wrench seat head • hexagon wrench seat • threads with other pitches and lengths.
- Box quantity: Not standard.
- Assembling of: Anti-slip pads • nuts • washers.