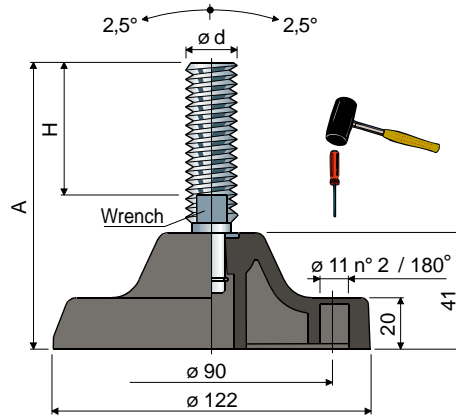


Adjustable feet

(base in reinforced polyamide)

Part. **93** \varnothing **122**



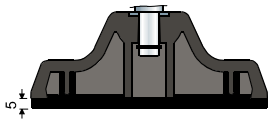
Spindle measures in mm				Base colour						Max static load (N)
				BLACK			BLUE RAL 5005			
$\varnothing d$	A	H	Wrench	Spindle material			Spindle material			
				Zinc plated steel Code	Stainless steel AISI 304 Code	Stainless steel AISI 316 Code	Zinc plated steel Code	Stainless steel AISI 304 Code	Stainless steel AISI 316 Code	
M16x2	119	58	13	93 / 7510	93 / 7511	-	93 / 87936	93 / 87937	-	43000
	150	89	13	93 / 89296 NEW	93 / 89303 NEW	-	93 / 89298 NEW	93 / 89305 NEW	-	
	180	119	13	93 / 7908	93 / 7909	-	93 / 87938	93 / 87939	-	
	206	145	13	93 / 7512	93 / 7513	-	93 / 87940	93 / 87941	-	
	262	201	13	93 / 7514	93 / 7515	-	93 / 87942	93 / 87943	-	
M18x2,5	214	157	15	93 / 82136	93 / 82137	-	93 / 87944	93 / 87945	-	45000
	150	89	17	93 / 80548	93 / 87315	-	93 / 87946	93 / 87947	-	
M20x2,5	171	107	17	93 / 7516	93 / 7517	-	93 / 87948	93 / 87949	-	47000
	200	136	17	93 / 7518	93 / 7519	-	93 / 87950	93 / 87951	-	
	221	157	17	93 / 7520	93 / 7521	93 / 85139	93 / 87952	93 / 87953	93 / 87970	
	250	190	17	93 / 83226	93 / 83227	-	93 / 87954	93 / 87955	-	
	298	238	17	93 / 83228	93 / 83229	-	93 / 87956	93 / 87957	-	
M24x3	157	90	19	93 / 7522	93 / 7523	-	93 / 87958	93 / 87959	-	50000
	194	127	19	93 / 7524	93 / 7525	-	93 / 87960	93 / 87961	-	
	229	162	19	93 / 7526	93 / 7527	-	93 / 87962	93 / 87963	-	
	265	202	19	93 / 83230	93 / 83231	-	93 / 87964	93 / 87965	-	
M30x3,5	188	125	24	93 / 7528	93 / 7529	-	93 / 87966	93 / 87967	-	50000
	252	185	24	93 / 7530	93 / 7531	-	93 / 87968	93 / 87969	-	

Base material: Reinforced polyamide black or blue Ral 5005 colour.
Box quantity: 8 pieces.

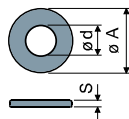
Accessories

Anti-slip pads:

- code: 7633;
- material: thermoplastic rubber 68 Shore black colour;
- box quantity: 8 pieces.

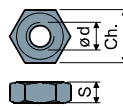


Washers UNI 6592-69 - Box quantity: 24 pieces.



$\varnothing M$	M16	M20	M24	M30
Smm	3	3	4	4
$\varnothing A$ mm	30	37	44	56
Zinc plated steel codes	7289	7290	7293	7295
Stainless steel codes	7291	7292	7294	7296

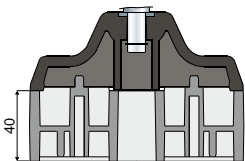
Nuts UNI 5588-65 - Box quantity: 24 pieces.



$\varnothing d$	M16	M20	M24	M30
Smm	13	16	19	24
Ch. mm	24	30	36	46
Zinc plated steel codes	7275	7276	7279	7281
Stainless steel codes	7277	7278	7280	7282

Spacers:

- code: 83410 (see pag. 266);
- material: Reinforced polyamide black colour;
- box quantity: 8 pieces.



On request

- Bases: In reinforced polypropylene (maximum static load is reduced to 1/3 compared to that with polyamide base) • other colours • with pre-bored fixing holes.
- Spindles with: Sunk hexagon head • second wrench seat head • hexagon wrench seat • threads with other pitches and lengths.
- Box quantity: Not standard.
- Assembling of: Anti-slip pads • nuts • washers.