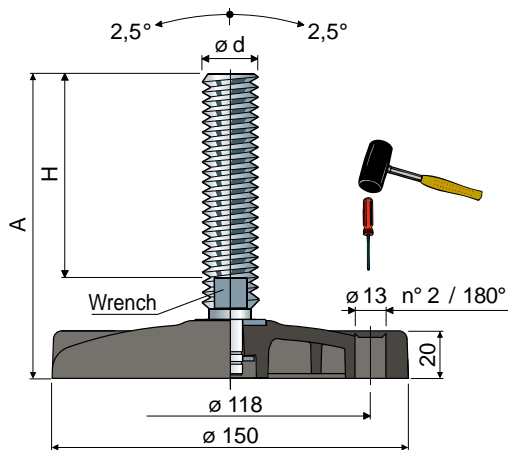


Adjustable feet

(base in reinforced polyamide)

Ø 150 Part. 124



Spindle measures in mm				Base colour						Max static load (N)
				BLACK			BLUE RAL 5005			
ø d	A	H	Wrench	Spindle material			Spindle material			
				Zinc plated steel Code	Stainless steel AISI 304 Code	Stainless steel AISI 316 Code	Zinc plated steel Code	Stainless steel AISI 304 Code	Stainless steel AISI 316 Code	
M16x2	98	58	13	124 / 85782	124 / 85791	-	124 / 87972	124 / 87973	-	45000
	129	89	13	124 / 89300 NEW	124 / 89307 NEW	-	124 / 89302 NEW	124 / 89309 NEW	-	
	159	119	13	124 / 85784	124 / 85793	-	124 / 87974	124 / 87975	-	
	185	145	13	124 / 85786	124 / 85795	-	124 / 87976	124 / 87977	-	
	241	201	13	124 / 85788	124 / 85797	-	124 / 87978	124 / 87979	-	
M18x2,5	197	157	15	124 / 85790	124 / 85799	-	124 / 87980	124 / 87981	-	47000
	132	89	17	124 / 87320	124 / 87321	-	124 / 87982	124 / 87983	-	
	150	107	17	124 / 85756	124 / 85767	-	124 / 87984	124 / 87985	-	
	179	136	17	124 / 85758	124 / 85769	-	124 / 87986	124 / 87987	-	
	200	157	17	124 / 85760	124 / 85771	124 / 85789	124 / 87988	124 / 87989	124 / 87971	
M20x2,5	233	190	17	124 / 85762	124 / 85773	-	124 / 87990	124 / 87991	-	49000
	281	238	17	124 / 85766	124 / 85775	-	124 / 87992	124 / 87993	-	
	136	90	19	124 / 85768	124 / 85777	-	124 / 87994	124 / 87995	-	
	173	127	19	124 / 85770	124 / 85779	-	124 / 87996	124 / 87997	-	
	208	162	19	124 / 85772	124 / 85781	-	124 / 87998	124 / 87999	-	
M24x3	248	202	19	124 / 85774	124 / 85783	-	124 / 88000	124 / 88001	-	52000
	171	125	24	124 / 85776	124 / 85785	-	124 / 88002	124 / 88003	-	
M30x3,5	231	185	24	124 / 85778	124 / 85787	-	124 / 88004	124 / 88005	-	

Base material: Reinforced polyamide black or blue Ral 5005 colour.

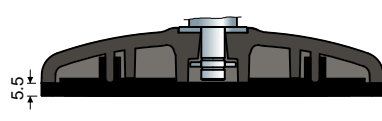
Box quantity: 8 pieces.

Accessories

Anti-slip pads:

- code: 85780;
- material: thermoplastic rubber 68 Shore black colour;
- box quantity: 8 pieces.

Washers UNI 6592-69 - Box quantity: 24 pieces.



ø M	M16	M20	M24	M30
Smm	3	3	4	4
ø A mm	30	37	44	56
Zinc plated steel codes	7289	7290	7293	7295
Stainless steel codes	7291	7292	7294	7296

Nuts UNI 5588-65 - Box quantity: 24 pieces.

ø d	M16	M20	M24	M30
Smm	13	16	19	24
Ch. mm	24	30	36	46
Zinc plated steel codes	7275	7276	7279	7281
Stainless steel codes	7277	7278	7280	7282

On request

- Bases: In reinforced polypropylene (maximum static load is reduced to 1/3 compared to that with polyamide base) • other colours • with pre-bored fixing holes.
- Spindles with: Sunk hexagon head • second wrench seat head • hexagon wrench seat • threads with other pitches and lengths.
- Box quantity: Not standard.
- Assembling of: Anti-slip pads • nuts • washers.