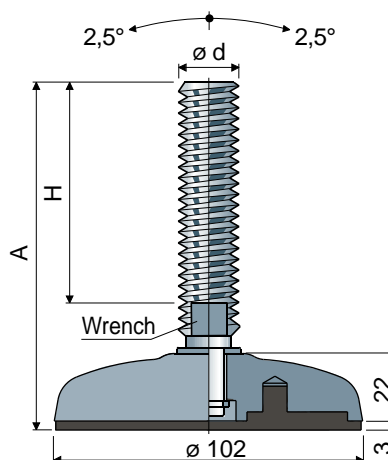


# Adjustable feet

(base in steel)

Part. **97** Ø **102**



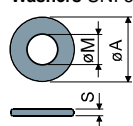
Spindle measures in mm				Base in nickel plated steel	Base in nickel plated steel	Base in stainless steel AISI 304	Max static load (N)
$\varnothing d$	A	H	Wrench	Spindle in zinc plated steel Code	Spindle in stainless steel AISI 304 Code	Spindle in stainless steel AISI 304 Code	
M16x2	101	58	13	97 / 7550	97 / 7551	97 / 87296	50000
	132	89	13	97 / 89312 <b>NEW</b>	97 / 89319 <b>NEW</b>	97 / 89321 <b>NEW</b>	
	162	119	13	97 / 7912	97 / 7913	97 / 87297	
	188	145	13	97 / 7182	97 / 7183	97 / 87298	
	244	201	13	97 / 7184	97 / 7185	97 / 87299	
M18x2,5	200	157	15	97 / 82146	97 / 82147	97 / 87300	51000
	135	89	17	97 / 87330	97 / 87331	97 / 87443	
	153	107	17	97 / 7186	97 / 7187	97 / 87301	
M20x2,5	182	136	17	97 / 7552	97 / 7553	97 / 87302	52000
	203	157	17	97 / 7188	97 / 7189	97 / 87303	
	236	190	17	97 / 83250	97 / 83251	97 / 87304	
	284	238	17	97 / 83252	97 / 83253	97 / 87305	
	139	90	19	97 / 7190	97 / 7191	97 / 87306	
M24x3	176	127	19	97 / 7554	97 / 7555	97 / 87307	52000
	211	162	19	97 / 7192	97 / 7193	97 / 87308	
	250	202	19	97 / 83254	97 / 83255	97 / 87309	

Base material: Nickel plated steel or stainless steel AISI 304.

Box quantity: 8 pieces.

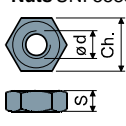
Features: The feet are complete with anti-slip pad made out of thermoplastic rubber 68 Shore black colour .

Washers UNI 6592-69 - Box quantity: 24 pieces.



$\varnothing M$	M16	M20	M24
Smm	3	3	4
$\varnothing A$ mm	30	37	44
Zinc plated steel codes	7289	7290	7293
Stainless steel codes	7291	7292	7294

Nuts UNI 5588-65 - Box quantity: 24 pieces.



$\varnothing d$	M16	M20	M24
Smm	13	16	19
Ch. mm	24	30	36
Zinc plated steel codes	7275	7276	7279
Stainless steel codes	7277	7278	7280

On request

- Spindles with: Sunk hexagon head • second wrench seat head • hexagon wrench seat • threads with other pitches and lengths • stainless steel AISI 316.
- Box quantity: Not standard.
- Assembling of: Nuts • washers.