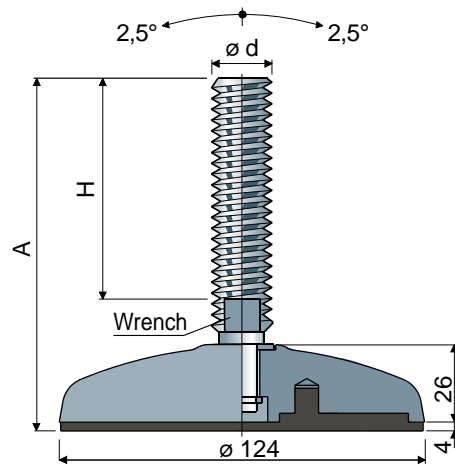


Adjustable feet

(base in steel)

Ø 124 Part. 99



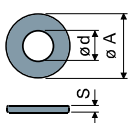
Spindle measures in mm			Base in nickel plated steel	Base in nickel plated steel	Base in stainless steel AISI 304	Max static load (N)
ø d	A	H	Spindle in zinc plated steel Code	Spindle in stainless steel AISI 304 Code	Spindle in stainless steel AISI 304 Code	
M16x2	104	58	13	99 / 7556	99 / 7557	99 / 87281
	135	89	13	99 / 89316 NEW	99 / 89323 NEW	99 / 89325 NEW
	165	119	13	99 / 7914	99 / 7915	99 / 87282
	191	145	13	99 / 7194	99 / 7195	99 / 87283
	247	201	13	99 / 7196	99 / 7197	99 / 87284
M18x2,5	203	157	15	99 / 82148	99 / 82149	99 / 87285
	138	89	17	99 / 87332	99 / 87333	99 / 87445
	156	107	17	99 / 7198	99 / 7199	99 / 87286
M20x2,5	185	136	17	99 / 7558	99 / 7559	99 / 87287
	206	157	17	99 / 7200	99 / 7201	99 / 87288
	239	190	17	99 / 83256	99 / 83257	99 / 87289
	287	238	17	99 / 83258	99 / 83259	99 / 87290
	142	90	19	99 / 7202	99 / 7203	99 / 87291
M24x3	179	127	19	99 / 7560	99 / 7561	99 / 87292
	214	162	19	99 / 7204	99 / 7205	99 / 87293
	254	202	19	99 / 83260	99 / 83261	99 / 87294
M30x3,5	177	125	24	99 / 7206	99 / 7207	99 / 87295
	237	185	24	99 / 7208	99 / 7209	99 / 87193

Base material: Nickel plated steel or stainless steel AISI 304.

Box quantity: 8 pieces.

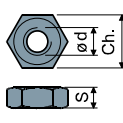
Features: The feet are complete with anti-slip pad made out of thermoplastic rubber 68 Shore black colour .

Washers UNI 6592-69 - Box quantity: 24 pieces.



ø M	M16	M20	M24	M30
Smm	3	3	4	4
ø A mm	30	37	44	56
Zinc plated steel codes	7289	7290	7293	7295
Stainless steel codes	7291	7292	7294	7296

Nuts UNI 5588-65 - Box quantity: 24 pieces.



ø d	M16	M20	M24	M30
Smm	13	16	19	24
Ch. mm	24	30	36	46
Zinc plated steel codes	7275	7276	7279	7281
Stainless steel codes	7277	7278	7280	7282

On request

- Spindles with: Sunk hexagon head • second wrench seat head • hexagon wrench seat • threads with other pitches and lengths • stainless steel AISI 316.
- Box quantity: Not standard.
- Assembling of: Nuts • washers.