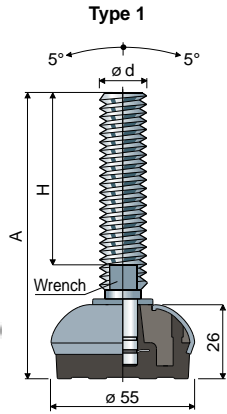


Adjustable feet, sanitizable

(base in stainless steel)

Part. **114** \varnothing **55**



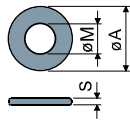
Base material: Internal part made of reinforced polyamide; external covering made of stainless steel AISI 304; anti-slip pad made of thermoplastic rubber 68 Shore black, white or blue Ral 5005 colour.

Box quantity: 8 pieces.

Features: Co-moulded anti-slip pad allows a perfect adherence with steel base. Consequent absence of internal cavities makes foot extremely cleanable. The threaded insert guarantees the protection of the spindle thread. Feet with M12 spindle diameter are supplied with hexagonal adjustment for 17 mm. wrench.

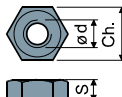
		Type 1						
		Spindle measures in mm			Spindle and base in stainless steel AISI 304			
$\varnothing d$	A	H	Wrench	Black anti-slip pad Code	White anti-slip pad Code	Blue Ral 5005 anti-slip pad Code	Max static load (N)	
M12x1,75	110	70	17	114 / 83802	114 / 85874	114 / 88141	15000	
M14x2	148	108	12	114 / 83803	114 / 85875	114 / 88142		
	102	58	13	114 / 83804	114 / 85876	114 / 88143		
M16x2	133	89	13	114 / 89322 NEW	114 / 89324 NEW	114 / 89326 NEW		
	163	119	13	114 / 83805	114 / 85877	114 / 88144		
M18x2,5	189	145	13	114 / 83806	114 / 85878	114 / 88145		
	245	201	13	114 / 83807	114 / 85879	114 / 88146		
M20x2,5	201	156	15	114 / 83808	114 / 85880	114 / 88147	20000	
	133	89	17	114 / 87337	114 / 87338	114 / 88148		
M20x2,5	151	107	17	114 / 83809	114 / 85881	114 / 88149		
	180	136	17	114 / 83810	114 / 85882	114 / 88150		
M24x3	201	157	17	114 / 83811	114 / 85883	114 / 88151		
	234	190	17	114 / 83812	114 / 85884	114 / 88152		
M24x3	282	238	17	114 / 83813	114 / 85885	114 / 88153		
	139	90	13	114 / 83814	114 / 85886	114 / 88154		
M30x3,5	176	127	13	114 / 83815	114 / 85887	114 / 88155		
	211	162	13	114 / 83816	114 / 85888	114 / 88156		
M30x3,5	250	201	13	114 / 83817	114 / 85889	114 / 88157		
	174	125	13	114 / 83818	114 / 85890	114 / 88158		
	234	185	13	114 / 83819	114 / 85891	114 / 88159		

Washers UNI 6592-69 - Box quantity: 24 pieces.



$\varnothing M$	M12	M14	M16	M20	M24	M30
Smm	2,5	2,5	3	3	4	4
$\varnothing A$ mm	24	28	30	37	44	56
Stainless steel codes	7287	7288	7291	7292	7294	7296

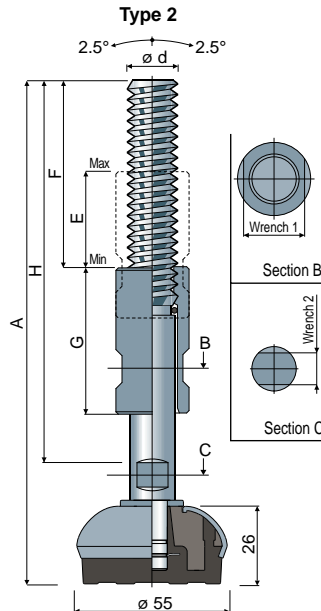
Nuts UNI 5588-65 - Box quantity: 24 pieces.



$\varnothing d$	M12	M14	M16	M20	M24	M30
Smm	10	11	13	16	19	24
Ch. mm	19	22	24	30	36	46
Stainless steel codes	7273	7274	7277	7278	7280	7282

On request

- Spindles with: Sunk hexagon head • second wrench seat head • hexagon wrench seat • threads with other pitches and lengths • stainless steel AISI 316.
- **Box quantity:** Not standard.
- **Assembling of:** Nuts • washers.



		Type 2									
		Spindle measures in mm			Spindle and base in stainless steel AISI 304						
$\varnothing d$	A	H	F	E	G	Wrench 1	Wrench 2	Black anti-slip pad Code	White anti-slip pad Code	Blue Ral 5005 anti-slip pad Code	Max static load (N)
M16x2	200	159	73	39	60	22	12	114 / 88008	114 / 88010	114 / 88160	20000
	260	220	100	78	100	22	12	114 / 88009	114 / 88011	114 / 88161	
M20x2,5	200	159	73	39	60	25	13	114 / 85164	114 / 85892	114 / 88162	
	260	220	100	78	100	25	13	114 / 85165	114 / 85893	114 / 88163	
M24x3	200	159	73	39	60	30	17	114 / 88012	114 / 88014	114 / 88164	
	260	220	100	78	100	30	17	114 / 88013	114 / 88015	114 / 88165	