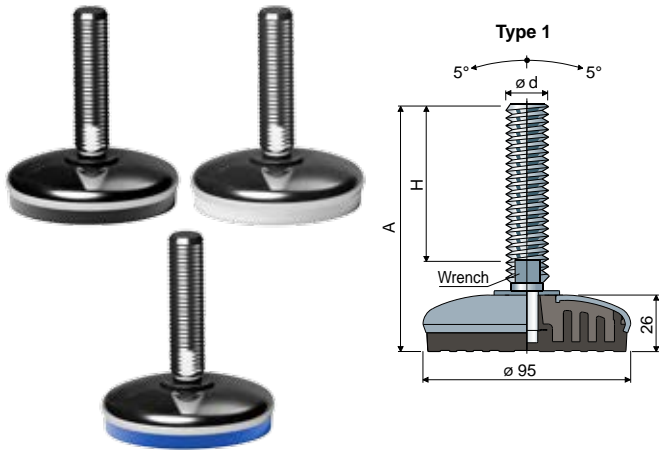


Adjustable feet, sanitizable

(base in stainless steel)

Part. **103** \varnothing **95**



Base material: Internal part made of reinforced polyamide; external covering made of stainless steel AISI 304; anti-slip pad made of thermoplastic rubber 68 Shore black, white or blue Ral 5005 colour.

Box quantity: 8 pieces.

Features: Co-moulded anti-slip pad allows a perfect adherence with steel base. Consequent absence of internal cavities makes foot extremely cleanable. The threaded insert guarantees the protection of the spindle thread. Feet with M12 spindle diameter are supplied with hexagonal adjustment for 17 mm. wrench.

Type 1							
Spindle measures in mm				Spindle and base in stainless steel AISI 304			
ø d	A	H	Wrench	Black	White	Blue Ral 5005	Max static load (N)
				anti-slip pad	anti-slip pad	anti-slip pad	
				Code	Code	Code	
M12x1,75	109	70	17	103 / 83043	103 / 85854	103 / 88191	17000
M14x2	148	108	12	103 / 83052	103 / 83637	103 / 88192	
	102	58	13	103 / 83053	103 / 85856	103 / 88193	
	133	89	13	103 / 89331 NEW	103 / 89332 NEW	103 / 89333 NEW	
M16x2	163	119	13	103 / 83054	103 / 83651	103 / 88194	
	189	145	13	103 / 83055	103 / 85858	103 / 88195	
	245	201	13	103 / 83056	103 / 85859	103 / 88196	
M18x2,5	201	157	15	103 / 83057	103 / 85860	103 / 88197	
	135	89	17	103 / 87339	103 / 87340	103 / 88198	
	153	107	17	103 / 83058	103 / 85861	103 / 88199	
M20x2,5	182	136	17	103 / 83059	103 / 83627	103 / 88200	
	203	157	17	103 / 83060	103 / 85862	103 / 88201	
	236	190	17	103 / 83061	103 / 85863	103 / 88202	
M24x3	284	238	17	103 / 83062	103 / 85864	103 / 88203	
	139	90	19	103 / 83063	103 / 85865	103 / 88204	
	176	127	19	103 / 83064	103 / 85866	103 / 88205	
M30x3,5	211	162	19	103 / 83065	103 / 85867	103 / 88206	
	250	201	19	103 / 83066	103 / 85868	103 / 88207	
M30x3,5	174	125	24	103 / 83067	103 / 85869	103 / 88208	
	234	185	24	103 / 83068	103 / 85870	103 / 88209	

Washers UNI 6592-69 - Box quantity: 24 pieces.

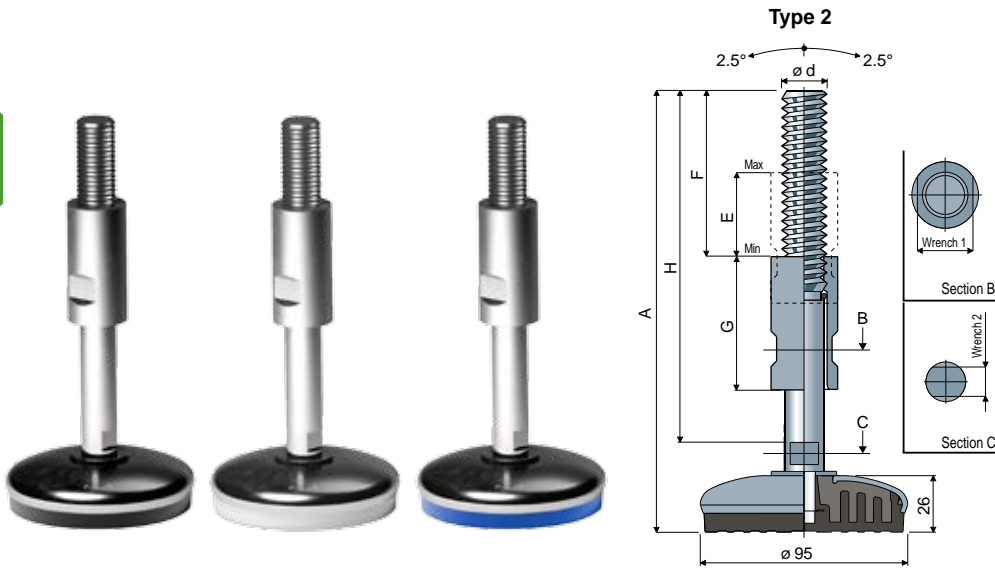
ø M	M12	M14	M16	M20	M24	M30
Smm	2,5	2,5	3	3	4	4
ø A mm	24	28	30	37	44	56
Stainless steel codes	7287	7288	7291	7292	7294	7296

Nuts UNI 5588-65 - Box quantity: 24 pieces.

ø d	M12	M14	M16	M20	M24	M30
Smm	10	11	13	16	19	24
Ch. mm	19	22	24	30	36	46
Stainless steel codes	7273	7274	7277	7278	7280	7282

On request

- Spindles with: Sunk hexagon head • second wrench seat head • hexagon wrench seat • threads with other pitches and lengths • stainless steel AISI 316.
- Box quantity: Not standard.
- Assembling of: Nuts • washers.



Type 2											
Spindle measures in mm						Spindle and base in stainless steel AISI 304					
ø d	A	H	F	E	G	Wrench 1	Wrench 2	Black	White	Blue Ral 5005	Max static load (N)
								anti-slip pad	anti-slip pad	anti-slip pad	
								Code	Code	Code	
M16x2	200	159	73	39	60	22	12	103 / 88024	103 / 88026	103 / 88210	27000
	260	220	100	78	100	22	12	103 / 88025	103 / 88027	103 / 88211	
M20x2,5	200	159	73	39	60	25	13	103 / 83465	103 / 85872	103 / 88212	
	260	220	100	78	100	25	13	103 / 84191	103 / 85873	103 / 88213	
M24x3	200	159	73	39	60	30	17	103 / 88028	103 / 88030	103 / 88214	
	260	220	100	78	100	30	17	103 / 88029	103 / 88031	103 / 88215	