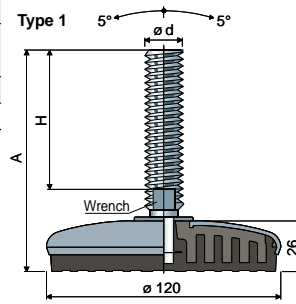


Adjustable feet, sanitizable

(base in stainless steel)

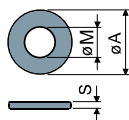
Ø 120 Part. 110

Type 1				Spindle and base in stainless steel AISI 304				
Spindle measures in mm	Ød	A	H	Wrench	Black anti-slip pad	White anti-slip pad	Blue Ral 5005 anti-slip pad	Max static load (N)
					Code	Code	Code	
M12x1,75	109	70	17	17	110 / 83574	110 / 85949	110 / 88260	17000
M14x2	148	108	12	12	110 / 83575	110 / 85950	110 / 88261	
M16x2	102	58	13	13	110 / 83576	110 / 85951	110 / 88262	30000
	133	89	13	13	110 / 89340 NEW	110 / 89341 NEW	110 / 89342 NEW	
	163	119	13	13	110 / 83577	110 / 85952	110 / 88263	
	189	145	13	13	110 / 83578	110 / 85953	110 / 88264	
M18x2,5	245	201	13	13	110 / 83579	110 / 85954	110 / 88265	30000
	201	157	15	15	110 / 83580	110 / 85955	110 / 88266	
	135	89	17	17	110 / 87343	110 / 87344	110 / 88267	
	153	107	17	17	110 / 83581	110 / 85956	110 / 88268	
M20x2,5	182	136	17	17	110 / 83582	110 / 85957	110 / 88269	30000
	203	157	17	17	110 / 83583	110 / 85958	110 / 88270	
	236	190	17	17	110 / 83584	110 / 85959	110 / 88271	
	284	238	17	17	110 / 83585	110 / 85960	110 / 88272	
M24x3	139	90	19	19	110 / 83586	110 / 85961	110 / 88273	30000
	176	127	19	19	110 / 83587	110 / 85962	110 / 88274	
	211	162	19	19	110 / 83588	110 / 85963	110 / 88275	
	250	201	19	19	110 / 83589	110 / 85964	110 / 88276	
M30x3,5	174	125	24	24	110 / 83590	110 / 85965	110 / 88277	30000
	234	185	24	24	110 / 83591	110 / 85966	110 / 88278	



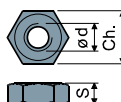
Base material: Internal part made of reinforced polyamide; external covering made of stainless steel AISI 304; anti-slip pad made of thermoplastic rubber 68 Shore black, white or blue Ral 5005 colour.
Box quantity: 8 pieces.
Features: Co-moulded anti-slip pad allows a perfect adherence with steel base. Consequent absence of internal cavities makes foot extremely cleanable. The threaded insert guarantees the protection of the spindle thread. Feet with M12 spindle diameter are supplied with hexagonal adjustment for 17 mm. wrench.

Washers UNI 6592-69 - Box quantity: 24 pieces.



Ø M	M12	M14	M16	M20	M24	M30
Smm	2,5	2,5	3	3	4	4
Ø A mm	24	28	30	37	44	56
Stainless steel codes	7287	7288	7291	7292	7294	7296

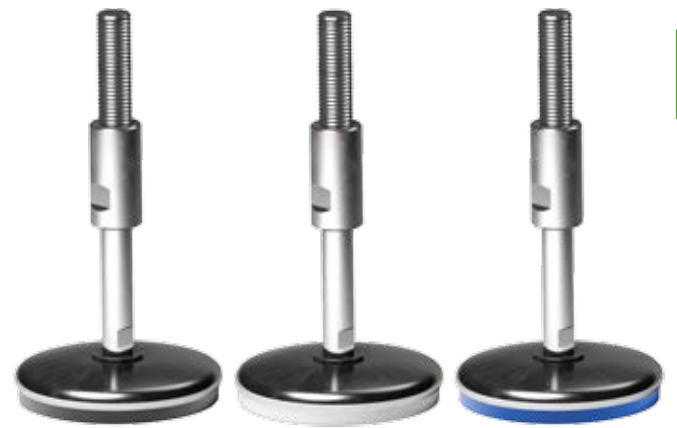
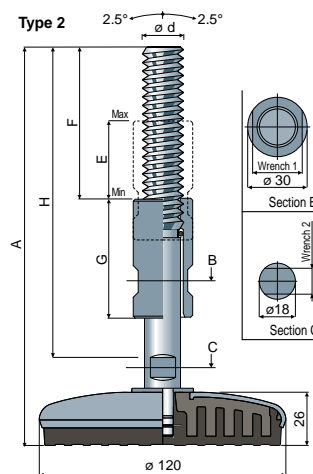
Nuts UNI 5588-65 - Box quantity: 24 pieces.



Ø d	M12	M14	M16	M20	M24	M30
Smm	10	11	13	16	19	24
Ch. mm	19	22	24	30	36	46
Stainless steel codes	7273	7274	7277	7278	7280	7282

On request

- Spindles with: Sunk hexagon head • second wrench seat head • hexagon wrench seat • threads with other pitches and lengths • stainless steel AISI 316.
- Box quantity: Not standard.
- Assembling of: Nuts • washers.



Type 2								Spindle and base in stainless steel AISI 304				
Spindle measures in mm	Ød	A	H	F	E	G	Wrench 1	Wrench 2	Black anti-slip pad	White anti-slip pad	Blue Ral 5005 anti-slip pad	Max static load (N)
									Code	Code	Code	
M16x2	200	159	73	39	60	60	22	12	110 / 88048	110 / 88050	110 / 88279	30000
	260	220	100	78	100	100	22	12	110 / 88049	110 / 88051	110 / 88280	
M20x2,5	200	159	73	39	60	60	25	13	110 / 84136	110 / 85967	110 / 88281	
	260	220	100	78	100	100	25	13	110 / 84195	110 / 85968	110 / 88282	
M24x3	200	159	73	39	60	60	30	17	110 / 88052	110 / 88054	110 / 88283	
	260	220	100	78	100	100	30	17	110 / 88053	110 / 88055	110 / 88284	