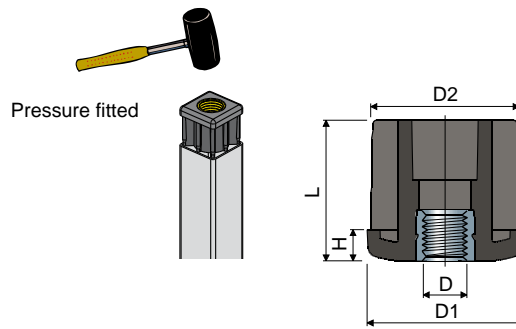


Threaded bushings

(for square tubes: sizes and threads in Inches)

Part. **68**



Tube dimensions				Thread D	D1	D2	H	L	Code	Max static load (N)		
Outside (inches)	Outside (mm)	Thickness (inches)	Thickness (mm)								Inside (mm)	
1" 1/2	(38,1)	0,065"	(1,65)	34,8	3/8"-16	(9,52)	38	34,8	8	38	68 / 82707	5000
					1/2"-13	(12,7)	38	34,8	8	38	68 / 82708	5000
					5/8"-11	(15,87)	38	34,8	8	38	68 / 82709	6500
					3/4"-10	(19,05)	38	34,8	8	38	68 / 82710	9000
					3/8"-16	(9,52)	38	32	8	38	68 / 82711	5000
					1/2"-13	(12,7)	38	32	8	38	68 / 82712	5000
		0,12"	(3,05)	32	5/8"-11	(15,87)	38	32	8	38	68 / 82713	6500
					3/4"-10	(19,05)	38	32	8	38	68 / 82714	9000
					3/8"-16	(9,52)	50,6	47,5	10	45	68 / 82715	5000
					1/2"-13	(12,7)	50,6	47,5	10	45	68 / 82716	5000
					5/8"-11	(15,87)	50,6	47,5	10	45	68 / 82717	6500
					3/4"-10	(19,05)	50,6	47,5	10	45	68 / 82718	9000
2"	(50,8)	0,109"	(2,77)	45,26	3/8"-16	(9,52)	50,6	45,26	10	45	68 / 82719	5000
					1/2"-13	(12,7)	50,6	45,26	10	45	68 / 82720	5000
					5/8"-11	(15,87)	50,6	45,26	10	45	68 / 82721	6500
					3/4"-10	(19,05)	50,6	45,26	10	45	68 / 82722	9000
					3/8"-16	(9,52)	50,6	44,7	10	45	68 / 82726	5000
					1/2"-13	(12,7)	50,6	44,7	10	45	68 / 82727	5000
		0,12"	(3,05)	44,7	5/8"-11	(15,87)	50,6	44,7	10	45	68 / 82728	6500
					3/4"-10	(19,05)	50,6	44,7	10	45	68 / 82729	9000

Materials: Bushing in reinforced polyamide black colour; threaded insert in nickel plated brass.

Box quantity: 24 pieces.

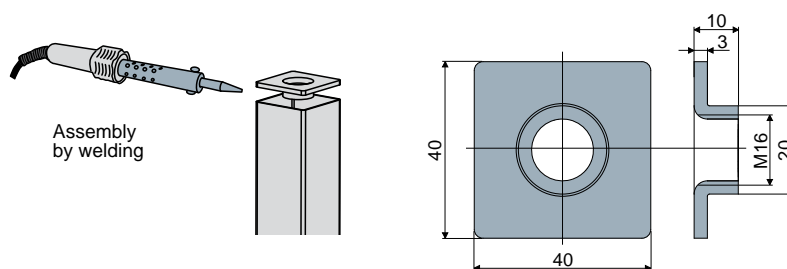
On request

- Bushings: With different thicknesses and colours.
- Box quantity: According to your request.

Thread sizes in inches are expressed as the number of threads (UNC coarse thread) per Imperial inch; the inch dimensions of the tubes conform to the British Imperial system

Threaded caps

Part. **130**



Code	Max static load (N)
130 / 88887	20000

Materials: Cap in stainless steel.

Features: Assembly by welding.

Box quantity: 24 pieces.

On request

- Box quantity: Not standard.