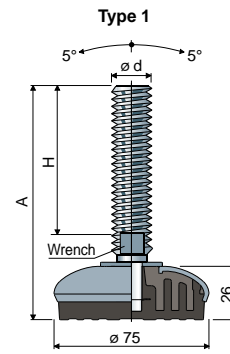


Adjustable feet, sanitizable

(base in stainless steel)

Ø 75 Part. 108

Type 1								
Spindle measures in mm				Spindle and base in stainless steel AISI 304				
ød	A	H	Wrench	Black anti-slip pad	White anti-slip pad	Blue Ral 5005 anti-slip pad	Max static load (N)	
				Code	Code	Code		
M12x1,75	109	70	19	108 / 83540	108 / 85894	108 / 88166	17000	
M14x2	148	108	12	108 / 83541	108 / 85895	108 / 88167		
	102	58	13	108 / 83542	108 / 85896	108 / 88168		
	133	89	13	108 / 89328	108 / 89329	108 / 89330		
M16x2	163	119	13	108 / 83543	108 / 85897	108 / 88169		
	189	145	13	108 / 83544	108 / 85898	108 / 88170		
	245	201	13	108 / 83545	108 / 85899	108 / 88171		
M18x2,5	201	157	15	108 / 83546	108 / 85900	108 / 88172		
	135	89	17	108 / 87335	108 / 87336	108 / 88173		
	153	107	17	108 / 83547	108 / 85901	108 / 88174		
M20x2,5	182	136	17	108 / 83548	108 / 85902	108 / 88175		24000
	203	157	17	108 / 83549	108 / 85903	108 / 88176		
	236	190	17	108 / 83550	108 / 85904	108 / 88177		
	284	238	17	108 / 83551	108 / 85905	108 / 88178		
M24x3	139	90	19	108 / 83552	108 / 85906	108 / 88179		
	176	127	19	108 / 83553	108 / 85907	108 / 88180		
	211	162	19	108 / 83554	108 / 85908	108 / 88181		
M30x3,5	250	201	19	108 / 83555	108 / 85909	108 / 88182		
	174	125	24	108 / 83556	108 / 85910	108 / 88183		
	234	185	24	108 / 83557	108 / 85911	108 / 88184		

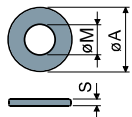


Base material: Internal part made of reinforced polyamide; external covering made of stainless steel AISI 304; anti-slip pad made of thermoplastic rubber 68 Shore black, white or blue Ral 5005 colour.

Features: Co-moulded anti-slip pad allows a perfect adherence with steel base. Consequent absence of internal cavities makes foot extremely cleanable. Feet with M12 spindle diameter are supplied with hexagonal adjustment for 19 mm. wrench.

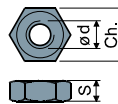
Box quantity: 8 pieces.

Washers UNI 6592-69 - Box quantity: 24 pieces.



øM	M12	M14	M16	M20	M24	M30
Smm	2,5	2,5	3	3	4	4
øAmm	24	28	30	37	44	56
Stainless steel codes	7287	7288	7291	7292	7294	7296

Nuts UNI 5588-65 - Box quantity: 24 pieces.

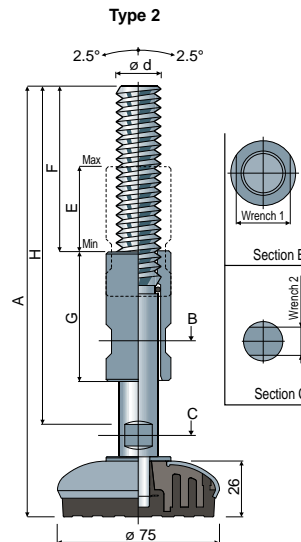


ø d	M12	M14	M16	M20	M24	M30
Smm	10	11	13	16	19	24
Ch. mm	19	22	24	30	36	46
Stainless steel codes	7273	7274	7277	7278	7280	7282

On request

- Spindles with: Sunk hexagon head • second wrench seat head • hexagon wrench seat • threads with other pitches and lengths • stainless steel AISI 316.
- Assembling of: Nuts • washers.
- Box quantity: According to your request.

Ø 75 Part. 108



Type 2											
Spindle measures in mm						Spindle and base in stainless steel AISI 304					
ød	A	H	F	E	G	Wrench 1	Wrench 2	Black anti-slip pad	White anti-slip pad	Blue Ral 5005 anti-slip pad	Max static load (N)
								Code	Code	Code	
M16x2	200	159	73	39	60	22	12	108 / 88016	108 / 88018	108 / 88185	24000
	260	220	100	78	100	22	12	108 / 88017	108 / 88019	108 / 88186	
M20x2,5	200	159	73	39	60	25	13	108 / 84134	108 / 85912	108 / 88187	
	260	220	100	78	100	25	13	108 / 84190	108 / 85913	108 / 88188	
M24x3	200	159	73	39	60	30	17	108 / 88020	108 / 88022	108 / 88189	
	260	220	100	78	100	30	17	108 / 88021	108 / 88023	108 / 88190	

Base material: Internal part made of reinforced polyamide; external covering made of stainless steel AISI 304; anti-slip pad made of thermoplastic rubber 68 Shore black, white or blue Ral 5005 colour.

Features: Co-moulded anti-slip pad allows a perfect adherence with steel base. Consequent absence of internal cavities makes foot extremely cleanable. The threaded insert guarantees the protection of the spindle thread.

Box quantity: 8 pieces.

On request

- Spindles with: Stainless steel AISI 316.
- Box quantity: According to your request.