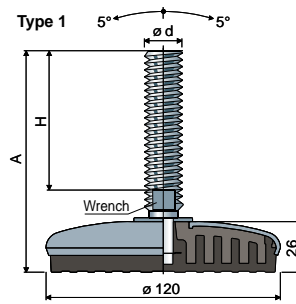


Adjustable feet, sanitizable

(base in stainless steel)

Ø 120 Part. 110

| Type 1 | | | | | | | Max static load (N) | |
|------------------------|-----|-----|--|--------------------------|--------------------------|----------------------------------|---------------------|-------|
| Spindle measures in mm | | | Spindle and base in stainless steel AISI 304 | | | | | |
| Ød | A | H | Wrench | Black anti-slip pad Code | White anti-slip pad Code | Blue Ral 5005 anti-slip pad Code | | |
| M12x1,75 | 109 | 70 | 19 | 110 / 83574 | 110 / 85949 | 110 / 88260 | 17000 | |
| M14x2 | 148 | 108 | 12 | 110 / 83575 | 110 / 85950 | 110 / 88261 | | |
| | 102 | 58 | 13 | 110 / 83576 | 110 / 85951 | 110 / 88262 | | |
| M16x2 | 133 | 89 | 13 | 110 / 89340 | 110 / 89341 | 110 / 89342 | | |
| | 163 | 119 | 13 | 110 / 83577 | 110 / 85952 | 110 / 88263 | | |
| | 189 | 145 | 13 | 110 / 83578 | 110 / 85953 | 110 / 88264 | | |
| M18x2,5 | 245 | 201 | 13 | 110 / 83579 | 110 / 85954 | 110 / 88265 | | 30000 |
| | 201 | 157 | 15 | 110 / 83580 | 110 / 85955 | 110 / 88266 | | |
| | 135 | 89 | 17 | 110 / 87343 | 110 / 87344 | 110 / 88267 | | |
| M20x2,5 | 153 | 107 | 17 | 110 / 83581 | 110 / 85956 | 110 / 88268 | | |
| | 182 | 136 | 17 | 110 / 83582 | 110 / 85957 | 110 / 88269 | | |
| | 203 | 157 | 17 | 110 / 83583 | 110 / 85958 | 110 / 88270 | | |
| | 236 | 190 | 17 | 110 / 83584 | 110 / 85959 | 110 / 88271 | | |
| M24x3 | 284 | 238 | 17 | 110 / 83585 | 110 / 85960 | 110 / 88272 | 30000 | |
| | 139 | 90 | 19 | 110 / 83586 | 110 / 85961 | 110 / 88273 | | |
| | 176 | 127 | 19 | 110 / 83587 | 110 / 85962 | 110 / 88274 | | |
| | 211 | 162 | 19 | 110 / 83588 | 110 / 85963 | 110 / 88275 | | |
| M30x3,5 | 250 | 201 | 19 | 110 / 83589 | 110 / 85964 | 110 / 88276 | | 30000 |
| | 174 | 125 | 24 | 110 / 83590 | 110 / 85965 | 110 / 88277 | | |
| | 234 | 185 | 24 | 110 / 83591 | 110 / 85966 | 110 / 88278 | | |

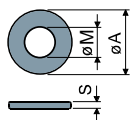


Base material: Internal part made of reinforced polyamide; external covering made of stainless steel AISI 304; anti-slip pad made of thermoplastic rubber 68 Shore black, white or blue Ral 5005 colour.

Features: Co-moulded anti-slip pad allows a perfect adherence with steel base. Consequent absence of internal cavities makes foot extremely cleanable. Feet with M12 spindle diameter are supplied with hexagonal adjustment for 19 mm. wrench.

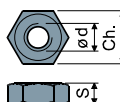
Box quantity: 8 pieces.

Washers UNI 6592-69 - Box quantity: 24 pieces.



| Ø M | M12 | M14 | M16 | M20 | M24 | M30 |
|-----------------------|------|------|------|------|------|------|
| Smm | 2,5 | 2,5 | 3 | 3 | 4 | 4 |
| Ø A mm | 24 | 28 | 30 | 37 | 44 | 56 |
| Stainless steel codes | 7287 | 7288 | 7291 | 7292 | 7294 | 7296 |

Nuts UNI 5588-65 - Box quantity: 24 pieces.

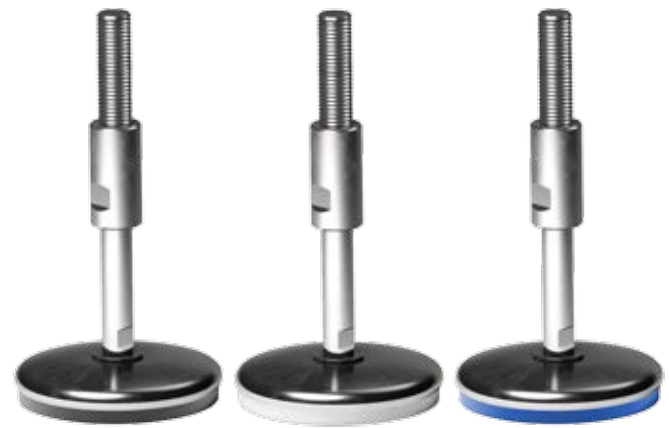
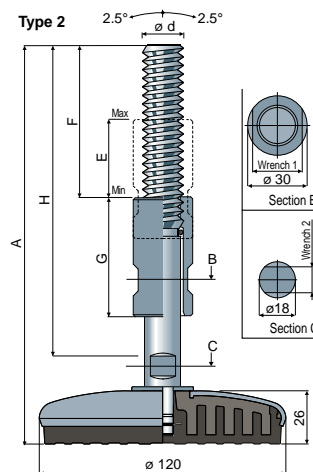


| Ø d | M12 | M14 | M16 | M20 | M24 | M30 |
|-----------------------|------|------|------|------|------|------|
| Smm | 10 | 11 | 13 | 16 | 19 | 24 |
| Ch. mm | 19 | 22 | 24 | 30 | 36 | 46 |
| Stainless steel codes | 7273 | 7274 | 7277 | 7278 | 7280 | 7282 |

On request

- Spindles with: Sunk hexagon head • second wrench seat head • hexagon wrench seat • threads with other pitches and lengths • stainless steel AISI 316.
- Assembling of: Nuts • washers.
- Box quantity: According to your request.

Ø 120 Part. 110



| Type 2 | | | | | | | | | | | Max static load (N) |
|------------------------|-----|-----|-----|----|--|----------|----------|--------------------------|--------------------------|----------------------------------|---------------------|
| Spindle measures in mm | | | | | Spindle and base in stainless steel AISI 304 | | | | | | |
| Ød | A | H | F | E | G | Wrench 1 | Wrench 2 | Black anti-slip pad Code | White anti-slip pad Code | Blue Ral 5005 anti-slip pad Code | |
| M16x2 | 200 | 159 | 73 | 39 | 60 | 22 | 12 | 110 / 88048 | 110 / 88050 | 110 / 88279 | 30000 |
| | 260 | 220 | 100 | 78 | 100 | 22 | 12 | 110 / 88049 | 110 / 88051 | 110 / 88280 | |
| M20x2,5 | 200 | 159 | 73 | 39 | 60 | 25 | 13 | 110 / 84136 | 110 / 85967 | 110 / 88281 | |
| | 260 | 220 | 100 | 78 | 100 | 25 | 13 | 110 / 84195 | 110 / 85968 | 110 / 88282 | |
| M24x3 | 200 | 159 | 73 | 39 | 60 | 30 | 17 | 110 / 88052 | 110 / 88054 | 110 / 88283 | |
| | 260 | 220 | 100 | 78 | 100 | 30 | 17 | 110 / 88053 | 110 / 88055 | 110 / 88284 | |

Base material: Internal part made of reinforced polyamide; external covering made of stainless steel AISI 304; anti-slip pad made of thermoplastic rubber 68 Shore black, white or blue Ral 5005 colour.

Features: Co-moulded anti-slip pad allows a perfect adherence with steel base. Consequent absence of internal cavities makes foot extremely cleanable. The threaded insert guarantees the protection of the spindle thread.

Box quantity: 8 pieces.

On request

- Spindles with: Stainless steel AISI 316.
- Box quantity: According to your request.